

Zjbigj-K ikjv

Comparative Education

EDM 1106

Gg GW tcöMg

~g Ae GWKkb



eisj v` k D>gÿ vekte` `vj q



This book is licensed under a
Creative Commons Attribution 4.0 International License.

Zj bvgj-K ikjv

EDM 1106

iPbvq

cđmi tgv: Zevik Dj Bmjvg

~đ Ae GWžKkb, evDwe

máúv`bvq

cđmi W. Gg G Ine ıgTv

~đ Ae GWžKkb, evDwe

gıbv tvımb

mnıhvıx Aa`vcK, ~đ Ae GWžKkb, evDwe

ımj bv Av³vi

mnKvix Aa`vcK, ~đ Ae GWžKkb, evDwe

~đ Ae GWžKkb



elsj vı`k Dıgıı vekıe``vj q

Zjbigj-K ikjv

EDM 1106

Gg GW tcÜMg

cKikKij

cÜg gY: Wtm±†, 2000

clj: gY: 2001, 2004, 2006, 2010

clj: gY: Ribgmi 2012

cÜ`

KvRx mVBdžxb AveYvm

KvúDUvi KtúvR

tZvdvtqj Avn±š

© ejsj vt`k D>gY nekje`ij q

ISBN: 984-34-0048-8

cKikbiq

cKikbiq, gY I weZiY wefvM

ejsj vt`k D>gY nekje`ij q

MvRxcj- 1705|

gY

ejsj vevRvi tcn GU cveij tKkb

53 b_@K nj ti vW, ejsj vevRvi

XvKv-1100|

tKum@B AbyriY Kivi KihRi ciugk©

ucQ ukQiv_@

DbtP ukLb c×uZ ubfP Gg GW ukQiv tCUM@tg fivZ@nl qvi Rb" `z Ae GWZKkb AvcbtK AvŠhi K Avfb` b RvbtPQ| Zjbgj-K ukjv (EDM 1106) tKum@eBiu Gg GW tCUM@gi GKiu Avewk"K tKumP GB tKvfmP DfIk" nj KtqKiu t`tki ukjvi j`y I DfIk", KvVtgv, cKvmbK e`e`v Ges , YMZgvb m@utK@avi Yv jvf AvcbtK mrvqZv Kiv| Avkv Kiv hvq, Avcub Ab" t`tki ukjv e`e`vi & wektl Y I ch@j vPbvi gva`tg ubR t`tki ukjv e`e`vi `enkó`veij I , Yu, Y m@utK@mivK avi Yv jvf KiZ mýg nteb Ges ukjvtýfT bZb wPŠlariv I `wófWz weKvfk Zjbgj-K ukjvi Ae`vb Dcjwä KiZ cvi`teb|

G tKum@eBiuI cv" melqet`K Avgiv cvBiu BDubtu fivM KtiwQ| cUg BDubtu Zjbgj-K ukQivi `fjc I `enkó" cñt½ Avtj vPbv Kiv ntqtQ Ges Ab`vb" BDubU, tj vZ KtqKiu ubePZ t`tki ukQiv e`e`vi wekl wekl w K m@utK@Avtj vPbv Kiv ntqtQ|

Zjbgj-K ukjv (EDM 1106) tKum@B cvW I Ablaj tbi týfT Avcbvi KiYvq wK?

- `ukLb c×uZi gj- K_vB nj ubtR ubtR cto tkLv Ges ubtRi tPovq tkLv| Ab" K_vq, G c×uZi gva`tg ukQiv_x© ubR `wqtZ; ubtRi m@eavgtZv mgtg tkLvi KvR ubtqvRZ nb| e`Z G DfIk"K mvgtb tiLB `z Af GWZKkb Gi weirfbetKvfmP eB, tjv iwPZ| GtZ fivMZ HK" i Qiv Kti cvtVi melqet`K KZ, tjv BDubtu fivM Kiv ntqtQ| Avevi BDubU, tjvfk KZK, tjv cvtV fivM Kiv ntqtQ| cUZiu cvW cU`ugK fite GKevi cotZ Avcbvi 40-45 wguBU mgq j wte etj ati tbi qv ntqtQ| cUZiu cvtVi tktl Avcub ubtRB ubtRi cvtVi AMWiz gj`vqb KiZ cvi`teb| G Rb" cUZiu cvtVi tktl itqtQ cvtVÉi cKgvj v Ges BDubtuI tktl itqtQ Pevšlgj`vqb cKgvj v|
- tKum@B covi mgq Kx Kx KvRi Dci , iaZ;w tZ nte?
 - ❑ cvtVÉi gj`vqtb cKgvj vi DÉi ubtR ubtR Kiab| Avcbvi DÉi , tjv mivK nj wK bv, Zv cvtVi tktl t`l qv OmivK DÉi t`tL hvPvB Kti wbb|
 - ❑ cvtVÉi gj`vqtb me, tjv cOké DÉi mivK ntj Pevšlgj`vqtb cKgvj vi DÉiI ubtR Kiab| tktlv³ cOké DÉiI mivK ntj cieZPBDubtu GuMtq hvb|
 - ❑ Avcbvi DÉi , tjv mivK bv ntj cvW, tjv Avevi cob| cov tkl ntj cvtVÉi gj`vqtb cKgvj vi DÉi Kiab| DÉi mivK ntj ci cvtV GuMtq hvb|
 - ❑ tKvb cvtV me, tjv cOké DÉi mivK bv ntj tm cvtVi ubw @ Ask Avevi cob| Gfite cUZiu BDubtuI cvW, tjv tkl Kiab|

eBiuZ th mg`l ubt`R bvgj-K wPy e`eüZ ntqtQ tm, tjv nj :



D×uZ



cvtVÉi gj`vqb I Pevšlgj`vqtb cKgvj v



cvW wei uZ



mivK DÉi

• cvW-mivqK KgimP

- ♦ `z Ae GWZKkb GB eBiu Qvovl `ibxq uJDtUvi qvj tmUvfi Avcbvi Rb" cUZ gvtm (2q I 4_@_ev 1g I 3q i`mveri) `Biu uJDtUvi qvj Kvfm e`e`v MhY KtiZQ| Gme Kvfm thvM w`tq Avcub eBiu cotZ wMtq tKvb mgm`vq cotj `m mel`tq cUqvRbxq ciugk@I ubt`Rbv MhY KiZ cvtib| GQvovl Avcub mivmii `z Ae GWZKkb-Gi tKum@mgšqKvixi m½ thvMthvM Kti cUqvRbxq ciugk@MhY KiZ cvtib |
- ♦ GQvovl `z Ae GWZKkb ti wvI I wvftZ cUZ mBvtn Avcbvi Rb" cvW melqvfiEK Kvfm e`e`v MhY KtiZQ| Avcub uba@i Z mgtg Nti etm Gme tmktb AskMhY Kti msuk@ týfT Avcbvi avi Yv mg× KiZ cvtib |

mPcĪ

	<i>cW</i>	<i>cŋv</i>
BDıbu 1	Zĵbvgj K ıĳıv	01
	1 Zĵbvgj-K ıĳıvi msÁv I cıımi	02
	2 Zĵbvgj-K ıĳıvi j ıı" I Dıı'k"	06
	3 Zĵbvgj-K ıĳıvi c×ıZ	09
BDıbu 2	eısj vı`tki ıĳıv e"e"v	15
	1 eısj vı`tki i vóıq gj-bııZ Ges ıĳıvi j ıı" I Dıı'k"	16
	2 eısj vı`tki ıĳıv e"e"vi KıVıııgv	19
	3 ıĳıv cĳımb I e"e"ıcbı	23
BDıbu 3	fviızi ıĳıv e"e"v	29
	1 RıZıq ıĳıvıbııZ Ges ıĳıvi j ıı" I Dıı'k"	30
	2 ıĳıvi KıVıııgıMıZ iıc	33
	3 ıĳıv cĳımb I e"e"ıcbı	37
BDıbu 4	kıj sKvi ıĳıv e"e"v	43
	1 kıj sKvi eZŋvb ıĳıv e"e"vi cUıııg Ges ıĳıvi j ıı" I Dıı'k"	44
	2 kıj sKvi ıĳıv KıVıııgv	47
	3 ıĳıv cĳımb I e"e"ıcbı	50
BDıbu 5	Bsj"ıııi ıĳıv e"e"v	55
	1 cııııgK I gıvıııgK ıĳıvi μgııııKıı	56
	2 ıĳıvi eZŋvb KıVıııgv	60
	3 ıĳıv cĳımb I e"e"ıcbı	65
	 Mııııııı	 71

Zj̄bv̄gj-K uk̄ŋlv

fīvgKv

cū_exi me t̄tkB uk̄ŋlvi c̄āvb j̄ŋ" nj b̄lMvi Kt̄"i ^`wnK I gub̄mK ŋlgZvi weKvk
 mvaṭb mn̄vqZv Kiv hv̄tZ mgvR I t̄tki meŋzxb mgv̄x ARṭb Zviv Ae`vb ivL̄tZ
 cv̄t| j̄t̄ŋ"i w̄K t̄tk t̄Zgb tKvb cv_R" b̄v_vKt̄j I uk̄ŋlvi KivV̄tgv I e`e`vi w̄K
 t̄tk t̄tk t̄tk h̄t_ó cv_R" we`gvb it̄qtQ| c̄ŌZ`K t̄k w̄bR w̄bR D̄t̄i k" I
 c̄ŌqvR̄tbi w̄b̄i t̄LB meṭPtq Dc̄th̄Mx uk̄ŋlv e`e`v c̄ŌZṭbi I weKv̄tki Dci ,iaZ;
 Av̄t̄ivc Kt̄i| H̄wZn̄vmK t̄c̄ŋlv̄cU, Av_ŋvgv̄RK Ae`v I `w̄f̄w̄z̄MZ cv_ṭK"i Kvi t̄Y
 GK t̄tki uk̄ŋlv e`e`v Ab" t̄tki c̄t̄ŋ ūeū M̄h̄Y ev Ab̄ȳi Y Kiv m̄e b̄q| Z̄te
 Ab" t̄tki uk̄ŋlv e`e`v Db̄q̄t̄bi w̄cQ̄t̄b th w̄bi š̄i c̄ŌP̄ón, e`v_Zv I m̄v̄d̄t̄j "i B̄wZn̄v
 it̄qtQ Zv h_vh_ PP̄ŋ gva`tg uk̄ŋK, uk̄ŋlv_ŋ I uk̄ŋlv c̄k̄vm̄KMY w̄bR w̄bR t̄tki
 uk̄ŋlv e`e`vi ^enkó`ewj I ,Yv_Y Av̄i I fīvj fīte Dc̄j w̄ä Ki t̄Z m̄ŋg n̄teb|

Av̄av̄bK uk̄ŋlv e`M̄t̄Yi ḡt̄a" G w̄el̄t̄q w̄ŋgZ t̄bB th uk̄ŋlvi gv̄t̄bv̄q̄b I AM̄h̄w̄Zi
 w̄b̄Ōq̄Zv w̄eav̄t̄bi t̄ŋt̄i Z̄j̄bv̄gj K uk̄ŋlvi w̄eṭkI Ae`vb it̄qtQ| Z̄j̄bv̄gj-K uk̄ŋlvi
 gva`tg Ab" t̄tki uk̄ŋlvi ^enkó", KivV̄tgv, c̄k̄vm̄bK e`e`v I ,YMZgvb m̄áut̄K[©]
 mg`K av̄i Yv j̄v̄f Kiv m̄e| uk̄ŋlv m̄s`v̄t̄i ev Db̄q̄t̄bi t̄ŋt̄i Ab" t̄tki uk̄ŋlv
 e`e`vi w̄eṭk- IY, c̄ix̄ŋY I ch̄ŋj̄v̄P̄bvi gva`tg w̄bR t̄tki uk̄ŋlv e`e`v Av̄š̄R̄ŋZK
 gv̄t̄bi t̄Kvb ch̄ŋq Av̄t̄Q Zv c̄w̄iḡvc Kiv hv̄q| Zv Q̄vov uk̄ŋlv t̄ŋt̄i bZb̄ w̄P̄š̄lav̄iv I
 `w̄f̄w̄z̄ m̄w̄b̄w̄kZ Kt̄i w̄bR t̄tki Av_ŋvgv̄RK Db̄w̄Z m̄vab KivI m̄e n̄q|

GKw̄w̄ ,iaZc̄Y[©] uk̄ŋlv w̄elq Ges PP̄ŋ t̄ŋt̄i w̄t̄m̄te Z̄j̄bv̄gj-K uk̄ŋlv m̄áut̄K[©]
 c̄k̄ŋYv_ŋK mg`K Ávb I Dc̄j̄w̄ä ARṭb mn̄vqZv Kivi Rb`B GB BD̄w̄Ūw̄ īw̄PZ
 n̄t̄qtQ| BD̄w̄t̄U w̄Zb̄w̄ cv̄V it̄qtQ| c̄Ōg cv̄t̄V Z̄j̄bv̄gj-K uk̄ŋlvi m̄sÁv I c̄w̄i mi Ges
 w̄ŌZ̄xq cv̄t̄V Z̄j̄bv̄gj-K uk̄ŋlvi j̄ŋ" I D̄t̄i k" m̄áut̄K[©]Av̄t̄j̄v̄P̄bv Kiv n̄t̄qtQ| ZZ̄xq
 cv̄w̄w̄t̄Z Z̄j̄bv̄gj-K uk̄ŋlvi t̄ŋt̄i thme c̄x̄w̄Z Aēj̄ ṭb ev Ab̄ȳi Y Kiv n̄q Zvi GKUv
 w̄eṭk- IY w̄ēiY c̄Ōvb Kiv n̄t̄qtQ|

cv̄V - 1 Z̄j̄bv̄gj K uk̄ŋlvi m̄sÁv I c̄w̄i mi
 cv̄V - 2 Z̄j̄bv̄gj-K uk̄ŋlvi j̄ŋ" I D̄t̄i k"
 cv̄V - 3 Z̄j̄bv̄gj-K uk̄ŋlvi c̄x̄w̄Z

Zʒbvgj-K ɪkʻŋvi msÁv I cwi mi

Dʒik`

GB cW tkʻl Avcb —

- ◆ Zʒbvgj-K ɪkʻŋvi mʻúʻKʻAvcbvi avi Yv e`3 KiʻZ cvi ʻteb;
- ◆ Zʒbvgj-K ɪkʻŋvi msÁv cŵvb KiʻZ cvi ʻteb Ges
- ◆ Zʒbvgj-K ɪkʻŋvi cwi mi mʻúʻKʻwefbæʻtʻki ʻtʻÁi gZvgZ chʻʻj vPbv I e`3 KiʻZ cvi ʻteb|

Ebwesk kZvāxi tkʻl bʻMv` Zʒbvgj-K ɪkʻŋvi ej ʻtʻZ ɪkʻŋvi e`e`v mʻúʻKʻZ mʻ I wewa-wearb cŵqʻtʻbi jʻtʻŋ` wewfbæʻtʻki ɪkʻŋvi e`e`vi ZĒj I Zt`i Mšbv I wtkdY tevSvZ| Zʒbvgj-K ɪkʻŋvi Ab`Zg RbK m`vi gvBʻtʻKj m`Wjvi meĒĠg Zʒbvgj-K ɪkʻŋvi msÁv I avi Yvi cŵvi NUVb| cieZʻZ K`vʻŪj, g`wvj bmb, nvbʻn& cŵjy ɪkʻŋvi e` MY Zʒbvgj-K ɪkʻŋvi mʻúʻKʻwR wR avi Yv e`3 Kʻi b Ges Zʒbvgj-K ɪkʻŋvi msÁv cŵvʻtʻbi tPov Kʻi b|

Zʒbvgj-K ɪkʻŋvi msÁv

m`Wjvi Zʒbvgj-K ɪkʻŋvi `ʻfc wtkdY KiʻZ thʻtq DʒjĠ Kʻi b: “In studying foreign systems of education we should not forget that the things outside the schools matter even more than the things inside the schools ‘A national system of education is a living thing, the outcome of forgotten struggles and difficulties and of battles long ago. It has in it some of the secret workings of national life.’ A_ʻ th tKvb ɪkʻŋvi e`e`vq w`ijq ewfʻZ wēlq I cwi ʻtek w`ij ʻtqi Af`šl`xY cwi w`wZ Aʻcʻŋvi Kg , iæZcY`bq| RvZxq ɪkʻŋvi e`e`v wbi šl` MvZkxj, `xNŋvjxb Avʻv`vj b I msMʻtʻgi ga` w`tq Mto I ʻV Ges RvZxq Rxeʻtʻbi Mfʻxʻi Gi exR wbnZ `vʻtʻK| ZvB wewfbæʻtʻki wewfbæDcv`vb i ayGKwĠZ Kiʻtʻj B tKvb t`ʻtʻki cYʻʻ ɪkʻŋvi e`e`v Mto I ʻVbv, Gi Rb` cŵqvRb RvZxq Rxeʻtʻbi Mfʻxʻi AeMvnb| mʻZivS m`Wj vʻtʻi i `wʻfʻwʻtʻZ Zʒbvgj-K ɪkʻŋvi nj Ggb GKwĠ Aa`qb ev cwi PPʻ wēlq hvi mivvʻth` Avgiv Avgvʻ`i RvZxq `emkó` I mĒyi Dci wfvĒ Kʻi wewfbæʻtʻki ɪkʻŋvi e`e`v chʻʻj vPbv KiʻZ cwi Ges wbtʻRʻ`i ɪkʻŋvi e`e`vʻtʻK mivwēfvʻte Dcj wä KiʻZ cwi |

m`Wjvi hʻw` Zʒbvgj-K ɪkʻŋvi c_ wbt`RK nb, Zte K`vʻŪj ntʻj b tmB cʻt`i cŵg cwi eʻtʻRK| `fveZtʻB G cwi μgvi dtj Zʒbvgj-K ɪkʻŋvi tʻŋĠ Avi I wēZ. Ges e`vcK ntʻtʻQ| K`vʻŪj i fvlvq, The purpose of comparative education, as of comparative law, comparative literature or comparative anatomy, is to discover the differences in the forces and causes that produce differences in educational systems. mʻZivS, K`vʻŪj i gʻtʻZ th mKj KviY, kw`3 I Dcv`vb tKvb mgvʻtʻRi KwóʻtʻK iʻc`vb Kʻi Ges th mKj kw`3 cĒ`ŋ I cʻtʻivʻŋfvʻte mgvʻtʻRi ɪkʻŋvi e`e`vʻtʻK wqšʻy Kʻi Zvʻ`i Aa`qbB Zʒbvgj-K ɪkʻŋvi ZĒj|

Aci GK ætklÁ g'wvj bmb Zᚋ̈bvǵj-K ʌkŋl̈v ejtZ K'v̈ẗÜẗj i avi YvB cŋq cYe^{es}
KẗïẗQb | Zui g̈ẗZ ʌbqǵvbM̈ ciŋŋl̈v | ʌbiŋŋl̈v gva'tg mgvR, Kwó. | Zv̈ẗ i ʌkŋl̈v
Zᚋ̈bvǵj-K chŋj vPbvB Zᚋ̈bvǵj-K ʌkŋl̈vZĒ; hv ʌwfbækwó i ʌkŋl̈v m̈v`k̈ | `emv`k̈`
Ges Gme m̈v`k̈` | `emv`k̈`i KviY ʌbaŋŋY KïẗZ m̈ẗPó nq |

Zᚋ̈bvǵj-K ʌkŋl̈v cwi mi

Zᚋ̈bvǵj-K ʌkŋl̈v avi Yv GLb chŋl̈ ʌwkvǵvb chŋq i ẗq ẗM̈ẗQ | dtj Gi e'ẅB ev
cwi mi m̈v̈ú̈ẗK̈ŋKvb meŋïvZ avi Yv ẗ` l̈ qv mnR bq | Zᚋ̈bvǵj-K ʌkŋl̈v msÁv cŋvb
cŋẗẗ½ Avgiv B̈ẗZvg̈ẗ` m̈vWj vi, K'v̈ẗÜj | g'wvj bmb-Gi Awf̈gZ ẗ_ ẗK G m̈v̈ú̈ẗK̈^o
ʌKQŋv avi Yv ẗc̈ẗq̈Q | Gevi ẗ` L̈v hvK, Zᚋ̈bvǵj-K ʌkŋl̈v ḧẗï Ae`v̈ẗb mg̈ẍ n̈ẗq̈ẗQ
Ggb Avi | K̈ẗq̈KRb ætklÁ G m̈v̈ú̈ẗK̈ŋK etj b:

AvB Gj K'v̈ẗÜẗj i Awf̈gZ

K'v̈ẗÜẗj g̈ẗZ Zᚋ̈bvǵj-K ʌkŋl̈v cwi mi i ayʌkŋl̈v Kiv̈v̈ẗgv, m̈sM̈Vb, c̈k̈v̈mb,
ʌkŋl̈vµg | ʌkŋl̈v`vb c̈ẍẅZi PPPev Aa`q̈ẗbi g̈ẗa`B m̈ẍg̈v̈ẍ bq eis ʌwfbæ'ẗk̈i
শিক্ষা সংশ্লিষ্ট সমস্যাবলীর কারণ অনুসন্ধান এবং সামাজিক, রাজনৈতিক ও সাংস্কৃতিক
Av`ẗk̈P Avẗj v̈ẗK Hme mgm̈v̈ mgvav̈ẗbi c̈ŋPóv m̈v̈ú̈ẗK̈^oAa`q̈b | Zᚋ̈bvǵj-K ʌkŋl̈v
Avl Ziv̈f̈Z | G cŋẗẗ½ ẅZẅb etj b: The comparative study of education must be
founded on the analysis of the social and political ideals which the school
reflects, for the school epitomizes these for transmission and for progress.

Aa`v̈c̈K ʌb̈ẗKvj̈m̈ n̈v̈ẗmi Awf̈gZ

n̈v̈ẗmi g̈ẗZ RvZxq ʌkŋl̈v e'e`v̈ M̈ẗo | ẗv̈ RvZxq Pwi ẗï Dci ẅf̈ẅE K̈ẗi, Avi RvZxq
Pwi ẗ M̈ẗo | ẗv̈ RvZxqZ | f̈v̈l̈v̈MZ m̈s̈g̈k̈Y, agŋq Av̈ẗ`v̈j b Ges ḦẅZn̈vm̈K |
ẗf̈s̈ẗm̈vj K cwi c̈ẅk̈R̈Zvi ga` ẅ ẗq | m̈ẍz̈iv̈s, ʌkŋl̈v i ẗf̈c̈ Dcj̈ẅa KïẗZ n̈ẗj RvZxq
Pwi ẗ MV̈ẗbi GBme Dcv̈v̈ẗbi ætklÁ | c̈ŋq̈v̈Rb |

RvZxq ʌkŋl̈v e'e`v̈ thgb AZẍẗẗK A`ẍk̈vi KïẗZ cv̈ẗi bv, ẗZg̈vb f̈ẅel`ẗZi Dci |
Gi Qvq̈cv̈Z i f̈ẍ KïẗZ cv̈ẗïbv | n̈v̈ẗm̈ j̈ŋ` K̈ẗïẗQb th ʌwfbæ'ẗk̈i ms`vi, c̈ŋv̈,
ḦẅZn̈, cwi ẗek Ges B̈ẅZn̈v̈ẗmi g̈ẗa` ʌKQŋẅk̈QŋmsM̈ẅz i ẗq̈ẗQ Ges tḧẗn̈ZzG, ẗj̈vi Dci
ẅf̈ẅE K̈ẗïB ʌkŋl̈v e'e`v̈ M̈ẗo | ẗv̈ẗQ, ẗm̈ Kvi ẗY ʌwfbæ'ẗk̈i ʌkŋl̈v mgm̈vi ẗŋ̈ẗẗ |
GKŋv A`ẅZ m̈v`k̈` j̈ŋ` Kiv hvq | G Kvi ẗYB ẅZẅb Zᚋ̈bvǵj-K Avẗj v̈Pbv̈i ẅf̈ẅE ẗZ
ʌwfbæ'ẗk̈i ʌkŋl̈v mgm̈vi mgvav̈b n̈l̈ qv D̈ẅPZ etj g̈ẗb K̈ẗïb |

tRGd µ'gvi Ges ẅRGm̈ eiD̈ẗbi Awf̈gZ

µ'gvi Ges eiD̈ẗbi g̈Zv̈b̈g̈v̈ẗi Zᚋ̈bvǵj-K ʌkŋl̈v Avl Ziv̈q ʌkŋl̈v ẗŋ̈ẗẗ ẗ`ẗk̈ ẗ`ẗk̈
cv̈`R̈ | AbM̈ẗi Zvi KviY Av̈g̈v̈v̈ẗbi m̈v̈ẗ_ m̈v̈ẗ_ G m̈ẗei chŋj vPbv | c̈ŋq̈v̈Rb |
ẗKbbv th ẗKvb ẗ`ẗki ʌkŋl̈v e'e`v̈ ẗm̈B ẗ`ẗki ivR̈ẅZK, m̈ig̈v̈iRK | agŋq cwi ẅ`ẅZi
ŋ̈v̈v̈ ʌbq̈ẅs̈Z nq | thgb, ẗKvb ẗ`ẗki miKvi ḧẅ RbMŸẗK MYZẅs̈K Av̈ẅKvi ẗ_ ẗK
eiÁZ K̈ẗi K̈ẗv̈i k̈v̈mbv̈ẍẗb Av̈ẍ ivL̈ẗZ P̈v̈q Z̈ẗe ẗm̈B ẗ`ẗki ʌkŋl̈v e'e`vi ẗg̈ŋ̈j
Pwi ẗ n̈ẗe j̈ŋ` c̈i ẗYi m̈v̈q̈K | ẅel̈UK Ges c̈ẅk̈`v̈b̈ẍ k̈v̈mbv̈g̈ẗj c̈ŋẍZ ev̈sj̈v̈ẗ`k̈
f̈L̈ẗŋ̈i ʌkŋl̈v e'e`v̈ Gi c̈k̈ó. D`v̈ni Y |

udij c B tRvbn-Gi AvfgZ

tRvbn Zjbvgj-K ukqvi cxiZtK ukqvgj-K cwi Kibv cVqtbi Rb` , iaZcY`etj gtb Ktib| Zjbvgj-K ukqvi Zvrch`ccht½ uZub etj b: “Comparative education, with its rapidly increasing resources and its hopes for better methods, seems admirably suited to provide a more rational basis for planning.”

GWgU tR uks-Gi AvfgZ

uks-Gi gtZ Zjbvgj-K ukqvi nj Ggb GKU Aa`qtb ielq hv AvMZ fivel`tzi `tfc mautK`Avgt` i chfeqY I mxvstK mngex Kti| uZub gtb Ktib eZgub wekt; mvgvRK I ukqvgj-K mgnivej x tKvb GKU t`tki ctq GKv mgiavb Kiv mae bq, GRb` weifbat`k, mgiR I Kwoi cZ `wp w`tZ nte|

RR`eqvitWi AvfgZ

Aa`vcK RR`eqvitW tKvb GKU ms`wZ. Mto DVri ucQtb th `vkBK I mvgvRK bniZ, tju Kvhrix `vtK ZviB ubvilt Zjbvgj-K ukqvtK GvMtg ubtq thtZ tPtqtQb| Zui gtZ, weifbawqvi e`e`vi gta` th miv`k`-`amv`k` `vtK Ges Zvt`i gta` th cvi `uvi K t`vl , Y eZgub, ZvtK mivKfite wektY KivB Zjbvgj-K ukqvi KivR| cKZctq, tgj bniZ wfiEK HuznvmK wektY PPB nj Zjbvgj-K ukqvi|

kuBvvi-Gi AvfgZ

kuBvvi Zjbvgj-K ukqvi cZcv` weiq Avil `uo Kti Dtg - L Kitz tPov KtitQb| uZub KZK, tju Acvinih`Dcv`vtbi K_v Dtg - L KtitQb hvi Dci ukqvi ZEjM I cttqvmK w`K eujvstK wbfP Kti| Zui gtZ, ukqvi `tfc I Kvvtg v wbfP Kti t`tki RvZxq Pwi I, tfstMvj K cwi w`wZ, miv`wZK`-`AmvK`-`vkBK cUfug, ivR`wZK I A_`wZK cwi w`wZ, ag`Buznm I `et`ukK cftitei Dci|

Avgiv GB cvtV Zjbvgj-K ukqvi msAv cVtbi jtq` KtqKRb wektitAi `wofwz mautK`aviY jvf Kijvg Ges Zjbvgj-K ukqvi `tfc I `enko` mautK`Avil KtqKRb wektitAi gZvgZ Abgveb Kijvg| cieZP cvtV Avgiv Zjbvgj-K ukqvi jtq` I Dtik` mautK`AemZ nZ tPov Kie|



cvtVvEi gj`vqb- 1

A) eu ubePbx ckae

mivK DEi wbt`Rgj-K AqiuutK eEwqZ Kiab| (D`vniY: Avcbri ubePZ DEiW K njt GtK (K) eEwqZ Kiab)

ǝ Ae GWKkb

1. Abʼ tʼtki wkʻv eʼeʼv PPF graʼtg wR tʼtki tKvbu Dcj wä Kiv hvq?
 K. wkʻv_ŋ Aeʼv
 L. wkʻv ckmʼbi Aeʼv
 M. wkʻv eʼeʼvi ʼenkóvej
 N. wkʻvʼki ʼenkóvej
2. RvZxq wkʻv eʼeʼv mbi šfi MwZxj , ʼxNRvj xb Avʼʼvj b I msMōtgi gaʼ wʼtq Mto I ʼv – Gu Kvi K_v?
 K. mʼWj vi
 L. nvbān
 M. kwBvi
 N. tRvbān
3. tKvbu GWgū tR wks-Gi Avʼʼgz?
 ZǝbvjgK wkʻv –
 K. cwi Kíbv cʻqʼbi Rbʼ , iaZcY©
 L. ARv bv f iel ʼʼzi ʼʼfc teiSvi Rbʼ , iaZcY©
 M. wvfbwkʻv eʼeʼvi wʼkʼʼyi Rbʼ , iaZcY©
 N. wvfa wvavb cʻqʼbi Rbʼ , iaZcY©
4. wkʻvi tʻtʼ tʼtk tʼtk cv_ʼ I AbMāhizvi KviY Avyūvʼbi Dci , iaZi Avʼivc KʼiʼQb tK?
 K. RRʼeqvi ʼw
 L. μvgvi GŪ eʼDb
 M. kwBvi
 N. wclij c B tRvbān

Av) msuŋB DĚi cāæ

1. GK tʼtki wkʻv eʼeʼv Abʼ tʼtki cʼʻ MāY Kiv mʼæ wkʼ hvʻmn Dʼtʼ Ki ab |
2. Zǝbvjg-K wkʻv mʼúʼKʼmʼWj ʼʼi i avi Yv Kx?
3. Zǝbvjg-K wkʻv cāʼ½ gʼwij bmʼbi msAvu Dʼtʼ Ki ab |
4. wKj vm nvbāmi gʼZ RvZxq Pwi ʼ MVʼbi Dci ʼvb , ʼʼj v Kx?
5. Kʼʼtʼʼj i gʼZ Zǝbvjg-K wkʻvi Avl Zvʼʼ wēl q , ʼʼj v Kx?



mWK DĚi

A) 1 | M, 2 | K, 3 | L, 4 | L |

cW 2

Zǝbvjg-K wkʻvi j ʼʼ I Dʼiʼkʼʼ

Dʼiʼkʼʼ

GB cW tʼkʼl Avciab —

- ◆ Zǰbvgj-K ukʻvi gj- j ʻŋ Dǰ ŪL KiǰZ cviǰeb Ges
- ◆ Zǰbvgj-K ukʻvi weǰkl Dǰi k`vevj eYǰv I e`vL`v KiǰZ cviǰeb|

wevfbet`tki ukʻvi Zǰbvgj-K Aa`qǰbi gva`tg ukʻvi gvǰbvbq I AvaybKxKiǰYi j ǰŋ ukʻvi ms`vǰi cwi Kǰi bv MǰhY Kiv mǰe| ukʻvi I mgvR mǰúǰK`cǰqvRbxq Z`mieivn Kǰi Dbǰb I ms`vǰi Muzavivi w K wǰt`Rbv t`qvi tǰŋǰ Zǰbvgj-K ukʻvi Ae`vb Ab`Kvhǰ Zǰbvgj-K ukʻvi gj- j ʻŋ nj wevfbet`tki ukʻvi e`e`vi AvfÁZvi AvǰvǰK wR t`tki ukʻvi e`e`vǰK Mfxi fvtǰ Dcǰwǰ Kiv, ukʻvi I Áw I fuj w K wǰbǰY Kiv Ges cǰqvRbxq ms`vi I Dbǰǰbi j ǰŋ` , iǰZcY`Z` msMǰ I h_vh_ cǰqvM Kiv| GB gj- j ʻŋ` tǰwǰvbi Rb` Zǰbvgj-K ukʻvi gva`tg KǰqKw weǰkl Dǰi k` ARǰ Kiv cǰqvRb|

evj`Eǰj-K Dǰi k`

Zǰbvgj-K ukʻvi GKw cwi ŪZ`cY`ÁvbPPP tǰŋǰ | Ab` t`tki ukʻvi e`e`v mǰúǰK` evj`xǰ Abǰvǰv I chǰj vPbv e`wǰi wR Ávb I DcǰwǰǰK cwi cY` Dbǰ Kǰi Ges Zvi Ašf ǰ Ggbfvtǰ weKwKZ Kǰi th tm Ab`vb` t`tki RbMǰYi tǰŋǰǰZ wǰRǰK mg`K Dcǰwǰ Kivi mǰhvm cǰq| Gi dǰj ukʻvi weÁvb I mvgwRK weÁvǰbi tǰŋǰǰ bZǰ Ávǰbi weKv I cǰqvǰMi ǰvi DǰbǰvPZ nq|

cwi Kǰi bvgj-K Dǰi k`

cw_ exi me t`k B AvR mgw`xi j ǰŋ` Dbǰb cwi Kǰi bv cǰvqǰ Kǰi Pj ǰQ| ukʻvi tǰŋǰǰ I cǰZw t`k bZǰ bZǰ bmvZ I KgǰwP wǰtǰ GwMǰq Pj ǰQ| Gme bmvZ I KgǰwP cǰvqǰ I ev`évtǰb tKivǰfc` ǰǰZv ev`kw_j` cǰkǰbi mǰvǰb` AeKvkl tbB, Kvi Y Gi mǰt_ j ǰj ǰj bvmǰi tKi fuj g` I fvel`Z RwoZ| AZGe, Gme wǰtǰ wmxvšI ÁwUgʻ I cwi c` nǰZ nǰe| Gǰŋǰǰ Zǰbvgj-K ukʻvi mǰysMwZ I mgǰZwǰZ Z` cǰvǰb mǰvqK nǰZ cǰi| G cǰh`ǰ tRvǰǰ etj b: “Comparative education, with its rapidly increasing resources and its hopes for better methods, seems admirably suited to provide a more rational basis for planning.”

DcǰhwMzǰj-K Dǰi k`

ukʻvi A_ǰwZK gj` AvR cǰZwǰZ mZ`| Pxb, Rvcvb I tKwǰvǰ gZ wKQwKQy t`k Kg`AvfÁZv ARǰǰK ukʻvi GKw AZ`vek`Kxq A½ etj gtb Kǰi Ges G bmvZi cǰZdj b Nuǰtǰ Gme t`tki A_ǰwZK AMwZi mvaZ nǰtǰQ| cǰvǰšǰi fviZ I evsj v`tki gZ AǰbK t`k B ukʻvi t`tki A_ǰwZK mgw`xi Dcvq wntǰte , iǰZj bv w`tǰ ukʻvi cǰvi, weǰkl Kǰi D`P ukʻvi cǰvi Ggbfvtǰ NuǰtǰQ th teKvi mgm`v AvI cǰKU nǰtǰ DǰvǰQ| Gi mǰt_ Avevi hǰ nǰtǰQ teb tWb (brain drain) mgm`v| AZ`š cwi Zvǰci wǰlq th Abǰw I DbǰbKxj t`k , tǰv cǰǰ A_`e`q Kǰi th tgav weKv Kǰi Q Zv tkl chš Dbǰ t`k `vǰvšǰi Z nǰ`Q, A_`w`w` t`k , tǰvi e`tǰi mgǰj tǰvM Kǰi Q Dbǰ t`k , tǰv| Gme mgm`vi mgvavb tǰZ nǰj Zǰbvgj-K ukʻvi AvǰvǰK ukʻvi cǰqvMkxj Zv I DcǰhwMzǰvi wǰlq w fvtǰZ nǰe|

D^mtebxj-K D^tik

ḡv^tḡ^tĀ AvRKvj A^tbK D^mtebxj-K K^gmⁱPi cēZ^ḡ n^tq^tQ| ḡv^tq bZ^b bZ^b c^hy^ḡ I MY gva^tgi e^{en}ri, g^mWDjvi c^xuZ, ḡv^tḡY c^xuZ, Db^tḡ wek^{te}ḡ^vj q BZ^ḡ m^ut^KAv^gv^t i Av^tbi D^tb^ḡ I c^hvi N^tU^tQ| Z^jbxj-K ḡv^t c^{vi}PP^ḡ ga^ḡ w^tq Db^z t^ḡkm^gḡ^tḡ we^tkl K^ti g^mK^ḡ h^yiv^to^a ḡLb-^tkL^vt^{bv} c^xuZ, t^kY^xK^ḡ ḡg^ḡḡ^ḡ, ḡv^tḡKi Av^{Pi}YMZ Db^qb, BZ^ḡ w^ḡ w^{el}t^q GZ M^telY^v c^{vi}P^mj Z n^tq^tQ th Gme m^ut^KAb^ḡ I Db^qb^kx^j t^ḡkm^gh^ḡḡ^ḡ Av^b I avⁱY^v t^ct^z e^ḡḡ^tj Gme t^ḡḡki ḡv^t e^ḡḡ^v K^vj ḡ^tg t^mt^Kt^j I e^ḡḡ^tj c^{vi}M^uY^Z n^te| K^vt^RB A^tbK m^gg cⁱx^ḡ I ā^vḡ^ḡḡ^ḡḡ^ḡ c^ḡḡ^ḡḡ^ḡ gva^tg mⁱv^mḡ bZ^b Av^fĀZ^v AR^ḡḡ^ḡ t^pt^q Ab^ḡ t^ḡḡki cⁱx^ḡ ḡ^bi^xḡ^ḡ j ā Av^b I Av^fĀZ^vt^K K^vt^R j v^mv^bB t^kḡ|

ḡAv^b, c^hy^ḡ I th^vM^th^vt^{Mi} ḡz I ḡ^ḡḡ^ḡKi c^{vi}eZ^ḡḡ^ḡ m^vt^ḡ m^vt^ḡ we^tk^ḡḡ^ḡ me t^ḡ k Av^R cⁱḡ^ḡ ḡ^bKU^{Zi} n^tq Av^mt^Q| t^ḡḡ^ḡ t^ḡḡ^ḡ ḡ^bKU^ḡ I m^gt^Sv^Zvi t^ḡḡ^tḡ^t ḡv^tḡ^tK c^hv^b D^cv^q ev gva^ḡ ḡⁿt^mte MY^ḡ Kiv n^tP^Q| GK t^ḡḡ^ḡ ḡ^vb^ḡ Ab^ḡ t^ḡḡ^ḡ ḡ^vb^ḡ I c^ḡZ ā^vḡ^ḡ ev we^tḡ^ḡ c^ḡḡ^ḡ c^{vi}n^{vi} K^ti Z^vt^ḡ i m^gm^v I m^vd^jḡ^ḡ m^ut^KR^vb^tZ Av^Mḡ^x n^tq DV^tQ| m^gv^mRK ḡAv^b, m^gv^RZĒ^jBZ^ḡ w^ḡ w^{el}t^qi Av^aK^{Zi} PP^ḡ, Q^vḡ-ḡv^tḡ^tK ḡ^vḡ^ḡḡ^ḡ K^gmⁱP, bZ^b bZ^b w^{el}t^qi cēZ^ḡ I c^{vi}Kⁱḡ^ḡ BZ^ḡ Av^ḡR^ḡZK mⁿḡ^ḡM^Zv Db^qt^b ḡ^ḡḡ^ḡḡ^ḡḡ^ḡ Av^b iv^Lt^Q| we^kR^ḡḡ^ḡ ḡv^tḡ^tḡ^tḡ^t mⁿḡ^ḡM^Zvi GB bZ^b avⁱv ḡ^ḡḡ^ḡB Z^jbxj-K ḡv^t PP^ḡ t^ḡḡ^tḡ^tḡ^t c^ḡḡ^ḡḡ^ḡ Kⁱḡe Ges Gi j ḡ^ḡ I D^tik^ḡ ḡ^bḡ^ḡḡ^ḡ ḡ^ḡ ḡ^bt^ḡ R^ḡḡ^ḡ c^ḡḡ^ḡ Kⁱḡe|



civvĒi gj`iqb- 2

A) eú űbePbx cĕœ

mĭWK DĒi űbĕ`Rgj-K Aŷi űŷK eĒiqZ Kiab | (D`vniY: Aivbvi űbePZ DĒi űK ntj GĕK Ⓚ eĒiqZ Kiab)

1. Zĕbvgj-K űkŷvi j ŷi` tKivűU?
 űewfbaĕ`ĕki tĕŷŷZ űbR t`ĕki
 K. űkŷvi e`e`ĕK Mfxi fĕte Dcj űä Kiv
 L. űkŷvi ŷau I fij ű`K űbaŷY Kiv
 M. űkŷvi ms`vi I Dbqĕbi j ŷi` Z` msMĕ Kiv
 N. Dĕti me, űj
2. eĭxeĬĒgj-K Dĕi`k` ej ŷZ Kx tevSĭq?
 K. űkŷvi ŷŷŷ D`űeYĭgj-K KgűP cĕZĕ
 L. bZĕ Ávĕbi űeKvk I cĕqĕMi űvi DĕbŷPb
 M. mgűx i j ŷi` Dbqĕ cűi Kĭ bv cĕŷqĕ
 N. űkŷvi ms`vi mvaĕbi j ŷi` Z` msMĕKiY
3. tKivűU D`űebvgj-K KgűP bq?
 K. gűWDj vi c`xűZ
 L. `i űkŷY c`xűZ
 M. e³Zv c`xűZ
 N. bZĕ cĕűŷ

Av) msŷŷB DĒi cĕœ

1. Zĕbvgj-K űkŷvi cűi Kĭ bvgj-K Dĕi`k` ej ŷZ Kx tevSĭq?
2. Zĕbvgj-K űkŷvi DĕthűMZvgj-K Dĕi`k` ej ŷZ Kx tevSĭq?
3. Zĕbvgj-K űkŷvi eĭxeĬĒgj-K Dĕi`k` ej ŷZ Kx tevSĭq?
4. Zĕbvgj-K űkŷvi gj- j ŷi` Kx?



mĭWK DĒi

A) 1 | N, 2 | L, 3 | M |

cW 3

Zĵbvgj-K űkŃvi c×űZ

Dġġk

GB cűV ġkġl Avcűb—

- ♦ Zĵbvgj-K űkŃvi ġŃġġ AbymZ c×űZ, ġjv eYĊv KiġZ cviġeb Ges
- ♦ Zĵbvgj-K űkŃvi űewfbœc×űZi ħewkóvej l eġenvi Dġj-L KiġZ cviġeb|

Zĵbvgj-K űkŃvi ġŃġġ űewfbœġġki űkŃvi eġv mœúġK^ĊAbymŪvb c×űZi GKűŪ űeġkl ġ ġzġi ġġġQ| GB c×űZB ġKvb ġġki űkŃviġq AMŲŲZ A_ew eġ_Ųv műWKfvġe cűiġvc Kġi ġġe Ges tmB cűiġvġci űfűĤZB űkŃvi msġġġi KġfR DġġvŲx nlqv ġġZ cűġi| ZűB űkŃveZŲMY űewfbœc×űZi DŲġeb KġġŲb| Avgiv Geġġi tmB c×űZ, ġjvB Avġj vPbv Kie|

• eYĊvgj-K c×űZ

GB c×űZġZ ġKvb ġġki űkŃvi eġv mœúġK^ĊműaviY eYĊv cŲvb Kiv nġq_ġġk| Zűici cŲqvRbgZ Abġ ġġki űkŃvi mġġ Zĵbvgj-K Avġj vPbv Kiv nq| cŲq mgMŲ Ebűesk kZűāġZ GB c×űZi cŲavġ űŲj | Rb MŲmKg űewfbœġġki űkŃvi mœúġK^Ċ GK űeeiYx cġKv KġġŲġj b| ġġ_yAvYŲ Ges ġŲġġmgvb| GB c×űZi Abġġj b KġġŲġj b| ġvBġKj mġŲjvi ġŲŲGB c×űZi Dci eġj vsġk űbŲŲkġj űŲġj b|

• DrKI^ĊAcKI^Ċc×űZ

GB c×űZ Abymġi, űewfbœġġki űkŃvi eġvi AfġŲġxY Ų_YMZ mġġk ġ ġemvġġki Dci ġ ġzġi Avġivc Kiv nq| ġKvb ġKvb ġŃġġ Avei msLŲMZ ZűiZġġl Avġj vŲZ nq| GB Avġj vPbv ġKvb ġġk űkŃvi ġŃġġ eġvcKZű űbaġġY ġġ_ó ġŲvqZű Kġi |

ġŲKĊ ġŲiŲġ³ Aaġv GB msLŲMZ Avġj vPbv Dci ġġ_ó ġ ġzġi Avġivc Kiv nq| Gi dġj Avġj vPbv meġġk eġŲbŲŲ nq Ges ewġ cŲqvMevġZűi űK ġġk űeġkl mŲŲġġKűv nq| ZűB GB c×űZġK Avgiv cűi msLŲvb c×űZ ew statistical method eġġZ cűi |

GB c×űZ mœúġK^ĊeġZ. Avġj vPbv KġiġŲb AaġvcK űbġKvj űm űvbġŲ | űZűb eġġġŲb:

cűi msLŲvb mŲMŲ KġġZ nġe űkŃvi űewfbœġġK mœúġK^Ċġġb űkŃvi cġvmb, msMVb, űkŃvi_ġ ŲeŲġK űeKvġ Ges Zűi AMŲŲZ BZŲŲ | eZġġġb ġ cűi msLŲvb cvlqv ġŲv ġŲ Zű Zĵbvgj-K Avġj vPbv DġġhŲġ bq| ġKbbv, cŲZġK ġġkiB cűi msLŲvb mŲMŲŲ űbRġġcűi fŲv Ges c×űZ ġġġQ| ġKvb ġKvb ġŃġġ cűi msLŲvb_ġjv ġġej ġŲġ cŲŲġi i DġġġġB mŲMŲZ| dġj bvbv űeġŲġe mŲŲ nq| cűi msLŲvb c×űZ mŲ_R nġe ZLb, hLb cűi msLŲvb mŲMŲŲ ġŃġġ űeġġvcx GKb aġġbi c×űZ Abymġi Y Kiv nġe|

• **HuZnumK cxiZ**

mÿi AZxZ t_tK Avic Kti bvbv cZeÜKZv I bvbv chfQ AwZug Kti ukŕv AvaybK t`i Gtm tctiQ| ukŕv tPZvri µgweKviki GB chfQ,tjvi Zj`bvgj-K wek- IYB HuZnumK cxiZ| Zj`bvgj-K ukŕvi tŕŕt GB cxiZi Dŕj- LthvM Ae`vb Ab`xKvhŕ GB cxiZi ØvivB Avgiv RvbŕZ tctiQ tKvb t`tki ukŕv wPšri weeZŕbi tŕŕt tKvb tKvb Dcv`vb,tjv wekI fite KvhRix_vŕK| iayZvB bq, AZxZ AwfÁZv Avgv`i fivel`tZi ct_i wbt`R t`q| tm Kvity GB cxiZ thgb GKw`K AZxZ BwZnm Ges Zvi wefbaDcv`vb,tjvŕK RvbŕZ mrvh` Kti, tZgub Ab`w`K fivel`tZ Avgv`i KiYxq m`útkŕbt`RbvI t`q| Avevi wefbaDcv`vb,tjv wek- IY Kitz wMŕq Avgiv wefbaevgvrK I ivR%wZK mslMv,tjvi m½I cwi wPZ nB| GB mslMv,tjv ukŕvŕK euj vs`tk cŕimeZ I wqšZ Kti |

wbtKvj vm nvbŕn GB cxiZi Dci mwekI ,iaZj Avivc KtiŕQb| Zvi gŕZ Guw Zj`bvgj-K ukŕvi meŕaK Rbvcŕ cxiZ| cKZctŕ GB cxiZ chŕŕ nevi m½ m½B Zj`bvgj-K ukŕv GKwU wBR`^cwi gUj Mto Zj`Z mŕg nq|

K`vŕEj I GB cxiZi ,iaZj A`xKvi Ktib w| Zvi gŕZ HuZnumK cxiZ iaywefbae t`tki ukŕv mgm`vi Drm RvbŕZB mrvh` Ktiw, eis ukŕv wqšK wefbae Dcv`vb,tjvŕKI Awwe`vi Kti w`tqŕQ|

tdWwi L kuBwvi gŕb Ktib GB cxiZi Øviv th Dcv`vb,tjv RvZxq Pwi I RvZxq ukŕvŕK cŕimeZ Kti tmB Dcv`vb,tjvi GK e`wbŕ wek- IY Kiv m`e nq|

HuZnumK cxiZi Ae`vb hw`I A`xKvi Kiv hvq bv, Z_vvc GK_v wK th, AvaybK c_w_exi hveZxq mgm`v AZxZ AwfÁZvi cwi tctiŕZ wek- IY Kiv m`e bq| wekI Kti, AvaybK chŕŕŕ weÁvb GZ `zZ MwZtZ AMŕhigvb th Zvi m½ mgvb c`ŕŕt c AMŕhi nŕZ Avgv`i wePvi eyx`I evievi chŕŕ`lnq| tmBtŕŕt AZxZ AwfÁZv GK epr I e`vcK cŕŕebvi cŕ_wgK cŕ_wzi `wqZj cvj b Kitz cvti gvI |

• **mgvR weÁvb wfiEK cxiZ**

GB cxiZ Abymti, tKej gvI mvgvrK Dcv`vb,tjvi wfiEKZB Zj`bvgj-K ukŕvi PPŕ Kiv nq| gvBŕKj m`wvjvi nŕjb GB cxiZi Ab`Zg cŕ`v| 1902 Lióvã wZwb wj`LwQŕj b, Bsŕ`vŕŕi ukŕv e`e`vi chŕŕj vPbv wev`Obŕvŕte Kiv m`e bq| GB chŕŕj vPbvi Rb` thgb cŕqvRb Bsŕ`vŕŕi mvgvrK cwi gUŕji wekŕY, tZgub cŕqvRb Rvgŕb, Avŕgwi Kv, dvY Ges Ab`vb` t`tki ukŕv e`e`vi m½ mvgvrK cUfvgKvi wekŕYI |

wU n`wmi mb mgvR weÁvwfiEK cxiZi j ŕŕ Avŕj vPbv Ktib| wZwb etj b ukŕvi j ŕŕ`B Dchŕŕ Ges Av`k`bvMwi K`Zwi Kiv| Avevi GB bvMwi K`Zwi Kitz nŕe GKwU t`tki mvgvrK Dŕŕk` cŕŕYi mrvqK wntmŕe| GB Kvity mvgvrK Ae`vi tctiŕcŕUB ukŕv e`e`v Avŕj wPZ nI qv DwPZ|

~č Ae GWKkb

metPtq eo K_v nj , GB c×wZ ukŋvŋŋtĭ chŷ nevi mt½ mt½ AvšRwZK mvs~wZK
five webgtqi , iažj Ges cŋqvRbixZv AvR meRtbi ~KwZ tctqtQ|

uKš' GB c×wZtZ mgvR mĖyi Dci AZ'waK , iažj Avtiwicz nevi dtj e'w³mĖy
DtcwŋZ ntqtQ| ZvQvon tKejgvĭ mgvnrK e'e~vB GKwU t'ŋki ukŋv e'e~vi
GKgvĭ wqšK ntZ cvtibv|

• **wetkŋYvZK c×wZ**

GB c×wZ Abynti , meŋg tKvb GKwU t'ŋki ukŋv e'e~v mæútkŋewfbæZ' mSMŋ
Kiv nq| Zvici msMpxZ Z' , tjtK Zžbvjg-K frte wetePbv Kiv nq| Gici
Z' , tjtK KZK , tjt tkYtZ web'~'Kiv nq Ges GB web'vm mvaŋbi cwitcŋŋtZ th
dj kŋZ j ä nte ZvtKB w×vš'wntmte MŋY Kiv nte|

AZ'vaybK Kvtj Zžbvjg-K ukŋvi tŋŋĭ GB c×wZ wetkl frte cŋve w'e~li KitZ
mŋg ntqtQ| eZŋvb cŋYZvB nj , th tKvb weAvtbi gZ Kti Zžbvjg-K ukŋvŋKl th
tKvb Z' hvpvB Kti t'LtZ nte| ukŋv wqšY Kti Ggb Dcv'v , tjtK tKej
chŋjvPbv KivB eo K_v bq hZUv mæe wLŷfrte Zvt' i wetk- IYI KitZ nte|
RvcvB I Avŋwi Kvq GB c×wZ wetkl frte cŋvj Z|

• **mstK- IY c×wZ**

wetkŋYvZK c×wZi wK weciX ifcB nj mstKŋY c×wZ| GWgŮ tR uKs ntj b Gi
cŋvb cŋ³v| 1962 Lióvtā wZwb Zuĭ World perspective in Education bvtgi
eBwŋtZ GB c×wZ wbtq AvtjvPbv KtiŋQb| wZwb etjŋQb, ŋŋukŋvi w'K t_ŋK mgMŋ
cŋ'extK GKwU GKK wntmte MŋY KitZ nte| tKvb GKwU t'ŋki ukŋv e'e~v tmB
wetk' ukŋv e'e~vi wbiŋL wPvi Kti t'LtZ nte|ŋ GB c×wZi cŋqvM i'agvĭ Aviæc
ntqtQ| GLbl hŋ_ó cixŋv wbiŋŋv tkl nqvB| ZvB GB c×wZ wbtq GLbl tKvb K_v
ej evi mgq Avtmw|

tgvU K_v `wvtjv GB th, Zžbvjg-K ukŋvq eŋwea c×wZ wqzB e'eüZ nt'Q|
cŋZcŋŋ tKvb c×wZiB mæúy'cixŋv wbiŋŋvi ~li GLbl AwZ'vš'nqvB| ZvB tKvb
c×wZi cŋqvMMK mdj Zv I DrKl' mæútk' tkl K_v ejv mæe bq| tKbbv,
cwieZŋkxj ZvB ukŋvi agŋ GB cwieZŋkxj Zv AvtQ etjB hŋ t_ŋK hŋvš'ŋi, Kvj
t_ŋK Kvjvš'ŋi gvbe mf'ZvtK etŋ aviY Kti ivLtZ cvitQ ukŋv| GB
cwieZŋkxj Zv AvtQ etjB ukŋv gvbe PwiĭŋK I gvbe mgvRtK hŋMvcthvMx Kti,
KvtjvcthvMx Kti Mto ZžtZ cvitQ| ZvB tKvb ukŋvi Pwiĭ wbaŋY GK AwZ `jŋ
KvR Ges tmB KvR meRvtj i Rb' GKwU mŋw'ŋ c×wZ Avie'vi I mæe bq|



ciVvEi gj`iqb - 3

A) eU ubePbx cKæ

mWVK DEi ubt` Rgj-K Aqi uWtK eFvqZ Kiab | (D`vniY: Avcbvi ubePZ DEi uW K ntj GtK (K) eFvqZ Kiab)

1. weifbat`tki ukqv e`e`vi m`k` I `emv`tk`i Dci ,iaZ;Avtivc Kti tKvb cXvZ?
 K. HwZnvmK cXvZ
 L. eYDvgj-K cXvZ
 M. wek- IYvZK cXvZ
 N. DrKIAcKIcXvZ
2. tKvb uW wek d YvZK cXvZi `enkó`?
 K. ukqv e`e`v m`u`K`Z` msMh, tkYweb`vm I umxvS`MhY
 L. mgvRK e`e`vi tcdvctU ukqv e`e`vi chqj vPbv KiY
 M. ukqv e`e`v m`u`K`mavi Y eYDv cDvb
 N. ukqv e`e`vi mgvKvtki HwZnvmK wek d Y
3. ubtKvj vm nvtmi gtZ Zjvbj-K ukqv mehaK Rbvcq cXvZ tKvb uW?
 K. wek d YvZK cXvZ
 L. mgvR weAvb wfvEK cXvZ
 M. HwZnvmK cXvZ
 N. mstkd Y cXvZ
4. mgvR weAvb wfvEK cXvZi cE`v tK?
 K. m`Wj vi
 L. K`vtUj
 M. weqv tW
 N. nvtm

Av) msuqB DEi cKæ

1. Zjvbj-K ukqv AvvZ cXvZ ,tj vi bvtgtj L Kiab |
2. Zjvbj-K ukqv DrKIAcKIcXvZtK ucvi msL`vbD cXvZ ej v nq tKb?
3. ubtKvj vm nvtmi gtZ Zjvbj-K ukqv mehaK Rbvcq cXvZ tKvb uW? e`vL`v`b |
4. n`vimi tbi gtZ omgvR weAvb cXvZi D` ,iaZ; Kx?



mWVK DEi

A) 1| N, 2| K, 3| M, 4| K |



Povšgjiqb

A) eü ubePbx cġæ

müWK DËi ubt`Rgj-K AḡiiuŦK eĖiqZ Kiab | (D`vniY t Avcbvi ubePZ DËiu
K ntj GtK (K) eĖiqZ Kiab)

1. Zġbvgj-K ũkḡv ej tZ K`vtŪj Kx eyStqtOb?
 K. th mKj kw³ cġ`ḡ I ctivḡfvte ũkḡv e`e`vtK ubqšY Kti Zvt`i Aa`qb
 L. RvZxq `enkó" I mËyi Dci wfvĒ Kti weifbæt`tki ũkḡv e`e`vi chġj vPbv
 M. weifbækuó mrv`k", `emv`k" I Gt`i KviY ubafŦY
 N. ubqgvbM cixḡv ubixḡvi gva`tg mgvR, kuó. I Gt`i Zġbvgj-K chġj vPbv

2. weifbæt`tki ũkḡv mgm`vi tḡtġ GKüW A™Z wġj t`Lv hvq | ubtKvj vm nvbŦmi gġZ Gi KviY tKvbüü?
 K. mKj t`tki ũkḡvi BwZnm cġq GKB iKg etj
 L. mKj t`tki RvZxq `enkó" cġq GKB iKg Dcv`vb w`tq MvZ etj
 M. mKj t`tki ms`vi, cŪv, HwZn", cwi`tek I BwZnŦmi gġa" msMvZ itqtQ etj
 N. mKj t`kB weifbæRvZi msugkŦY Mto I tV etj

3. ũkḡvi DcthwMZvgj-K Dt`i`k`i tḡtġ tKvbüü Dci , iæZ; t` I qv nq?
 K. ũkḡvi cġqvMkj Zvi Dci
 L. ũkḡvi cŦvŦi i Dci
 M. ũkḡvi eyx`xß AbyŦÜvb I chġj vPbv Dci
 N. ũkḡvi MvZaviv ubafŦŦYi Dci

4. teb tWb (brain drain) mgm`vi KviY ũK?
 K. A_ŦwZK mgw`xi Afve
 L. tgav weKv`tki mŦhvtMi Afve
 M. ũkḡv tḡtġ Kg©AvfÁZvi Afve
 N. ũkḡvi cġqvMkj Zv I DcthwMZvi Afve

5. tKvb t`tki ũkḡvi e`e`vtK wek; ũkḡvi e`e`vi ubwi`L gj`iqb Kivi Dci tRvi t` I qv nq tKvb c`xüZtZ?
 K. HwZnmK c`xüZtZ
 L. msŦkŪIY c`xüZtZ
 M. mgvR weÁvb wfvĒK c`xüZtZ
 N. weŦkd YvZK c`xüZtZ

6. tKvb c×wZwŷK Zŷbvgj-K wkŷvi cwi msL`vb c×wZ bŷtŷl AwfinZ Kiv nq?
K. mgvR weÁvb wfiwĚK c×wZ
L. mstkdŷ c×wZ
M. eYŷvgj-K c×wZ
N. DrKIŲAcKIŲc×wZ

A) iPbvgj-K cŷæ

1. Zŷbvgj-K wkŷvi ej tZ Kx tevSvq?
2. Zŷbvgj-K wkŷvi PPP ev Aa`qtbi wefqvej m`útkŲŲRb weklŷÁi AwfgZ wj we× Kiab|
3. Zŷbvgj-K wkŷvi wekl Dŷŷk`vej eYŷv Kiab|
4. Zŷbvgj-K wkŷvi wefboc×wZi , iæZŷŲŲeikó" Dŷŷŷ Kiab|
5. Zŷbvgj-K wkŷvi tŷŷŷ DrKIŲAcKIŲc×wZi , iæZŷDŷŷŷ Kiab|
6. Zŷbvgj-K wkŷvi tŷŷŷ HwZnwmmK c×wZi , iæZŷDŷŷŷ Kiab|
7. mstkdŷŷI weklŷ c×wZi cv_Ų" wbjcŷ Kiab|



mŷK DĚi

A) 1| K, 2| M, 3| K, 4| N, 5| L, 6| N|

evsj vř`tki ukŕŕv e`e`v

figKv

cŕlexi cŕZiU ř`tki ukŕŕv e`e`vB Zvi ubR`^RvZxq Av`k©I ms`uZi ewntcŕKvk/
 ukŕŕv e`e`vB RvZxq ms`uZ. I Huzřn`i aviK I evnK| Avevi RmZi fiel`r Avkv-
 Avkvŕŕvi cŕZdij Z nq ukŕŕv e`e`vi gvařg| cŕlexi mKj ř`tki gZ evsj vř`tki
 tejvqI G K_v, řjv cŕhvR`| řaxbZvi Ae`einZ cřiB 1972 mřb iŕPZ msŕeavřb
 mŕyúofıře `elg`nxb, MYgŕx I meRbxb ukŕŕv e`e`vi K_v Dřj - L Kiv nřqřQ| ejv
 nřqřQ ukŕŕv nře MYgŕx Ges RxebrıfıEK hv Rxeřbi Pmŕn`v tgUřřZ mŕŕg nře|
 cŕugK ukŕŕv nře cŕZiU ŕki i Rb eva`Zvřj-K I A%eZubK| GKŕ řK ukŕŕvi , YMZ
 gvřbvřqb, Acıŕ řK ř`tki cŕZiU gvřři Rb` ukŕŕvi ubđqZv ŕeavb Kiv ivřřf
 Ab`Zg `mřqZ; eřj Dřj - L Kiv nřqřQ| řaxbZvi ci ukŕŕv ms`vi I , YMZ gvř
 Dbřřbi j řř` meŕŕg 1974 mřb KřivZ-G-Lŕv ukŕŕv Kŕgkb ŕi řcvU`cŕKŕkZ nq|
 Gici 1979 mřb GKŕ AřeZřKŕj xb ukŕŕvbŕmZ I 1988 mřřj gŕdR Dŕi b Kŕgkb
 ŕi řcvU`cŕKŕkZ nq| ŕKř` AvR chřımi Kvi KZř `xN`řgqv`x mřvŕMŕK iřcřiLv I ŕ K
 ubř`Rbv mřřj Z řKvb cřř% bŕmZ cŕřqb Kiv mře nřub| G řcŕřřřZB eZřvb BDıbřU
 evsj vř`tki ukŕŕv e`e`vi KřqKŕ ŕ K ubřq Avřj vPbv Kiv nřqřQ| BDıbUŕU ŕZbŕU
 cvřV ŕef³ | cŕg cvřV evsj vř`tki ivřřq gj-bŕmZ I Gi Avřj vřK evsj vř`tki ukŕŕvi
 j řř` I Dřřk` mřúřK`Avřj vPbv Kiv nřqřQ| ŕřZxq cvřV evsj vř`tki eZřvb ukŕŕv
 Kivřřgv Ges ZZxq cvřV evsj vř`tki ukŕŕv cŕkŕmb I e`e`vcbv mřúřK`Avřj vPbv Kiv
 nřqřQ|

- cvV - 1 evsj vř`tki ivřřq gj bŕmZ Ges ukŕŕvi j řř` I Dřřk`
- cvV - 2 evsj vř`tki ukŕŕv e`e`vi Kivřřgv
- cvV - 3 ukŕŕv cŕkŕmb I e`e`vcbv

1996 mŷj Avl qvŷ j xM mi Kvi ŷgZvq Avmvi ci mgKvj xb wekŷi mŷ_ mŷwZ i ŷvKŷi wekŷvi Dbqŷbi i aZ; bZbŷiŷe Dcj wä Kiv nq| GKw ŷK i vóŷq cŷqvRb tgUvŷbv, Aciw ŷK cŷlexi Dbz ŷk, ŷjvi wekŷvi e`e`vi Zj` chŷq wekŷvŷK Dbz Kivi cŷqvRbxqZv Acwivh`eŷj MY` Kiv nq| mi Kvi GKw hŷMvŷhŷvMx wekŷvbxwZ cŷqŷbi j ŷŷ` 1996 mŷj 56 m`ŷm`i GKw RvZxq wekŷvbxwZ KŷvU MVb Kŷib| KŷvU 1997 mŷj i ŷmŷPŷŷ gvŷm Ppviŷ wiŷcvU`ŷck Kŷib| wiŷcvUŷ mi Kvi i Abŷgv`ŷbi Aŷcŷvq AvŷQ|



cŷvŷvEi gj`vqb - 1

A) eŷ ubeŷPbx cŷkæ

mŷwK DĒi wŷŷ` Rgj-K Aŷŷi wŷŷK eŷvŷqZ Kiab| (D`vniY: Avcbvi ubeŷPZ DĒi wK ntj GŷK eŷvŷqZ Kiab)

1. msŷeavŷbi wŷZxq fivŷMi 17 bs AbŷPQŷ` Kx cŷŷŷ½ ejv ntqŷQ?

 - K. MYZŷ; l gvbeŷaKvi cŷŷŷ½
 - L. RvZxqZvev` cŷŷŷ½
 - M. MYgŷx l meRbx wekŷvi cŷŷŷ½
 - N. agŷŷ mnbkŷj Zv cŷŷŷ½

2. 1974 mŷb ŷKvŷwU cŷKvŷKZ nq?

 - K. evsj v`ŷki msŷeavb
 - L. Kŷi vZ-G-Lŷv wekŷvi Kŷgkb wiŷcvU`
 - M. gvŷdR Dwi b wekŷvi Kŷgkb wiŷcvU`
 - N. AŷŷeZxKvj xb wekŷvi Kŷgkb wiŷcvU`

3. Kŷj x Rbm`ú` mŷŷi Rb` ŷKvŷwU cŷqvRbxq bq?

 - K. eŷgŷx wekŷvi aviv cŷZŷ
 - L. gvŷwŷK l KŷvŷK kŷgi mgŷŷ
 - M. wekŷvi e`e`v cŷqvMgŷxKi Y
 - N. Kŷs`vi, Avivŷi l `ŷŷZi Aemvb NUvŷbv

4. ŷ`kŷcŷŷ l mŷŷwŷi KZ; ej ŷZ Kx tevŷvq?

 - K. ŷ`kŷK fivj evmŷ
 - L. RvZxq msŷwZŷevŷa Dŷx n l qv
 - M. mKŷj i Avkv AvKv`ŷvi mŷ_ GKvZŷ n l qv
 - N. Dcŷi i me, wj

Av) msŷŷŷB DĒi cŷkæ

1. evsj v`ŷki msŷeavŷbi wŷZxq fivŷMi 17 bs AbŷPQŷ` Kx ejv ntqŷQ?
2. msŷeavb Abŷŷvŷx i vóŷq gj-bwŷZ, ŷj v Kx?
3. evsj v`ŷki wekŷvi cŷŷv j ŷŷ` Kx?
4. cŷqvMgŷx A_ŷŷwZK AMŷŷwZi Abŷŷŷj wekŷvi ej ŷZ Kx tevŷvq?



mŷwK DĒi: A) 1| M, 2| L, 3| N, 4| N|

מקף/י קיבטגמז עב"מ		
W±ti U		
Gg. uclj		
22+		
21	16	gv÷vm gv÷vm
20	15	mZK
19	14	(m±jb)
18	13	mZK (cvm)
17	12	D"P gva"igK
16	11	
15	10	nva"mK
14	9	
13	8	mbqawva"igK
12	7	
11	6	
10	5	c0_igK
9	4	
8	3	
7	2	
6	1	c0K-c0_igK
5		
4		
3		
eqm	tkYx	

Drn: nqvi tmK0vix GmKkb c0R±

D"P gva"igK ךֿ׳i i מקף/יK GLtbr HmZn"mZ frte Ktj R מקף/י Ask mntmte t`Lv nq, gva"igK ךֿ׳j i bq| Zvb GB ךֿ׳i i מקף/י c0Z0vb mvari YZ D"P gva"igK Ktj R bvtg cwi mPZ| D"P gva"igK Ktj tR GKv`k I 0v`k tkYxZ cvW`vb Kiv nq| c0q 98% D"P gva"igK Ktj RB temi Kvix| GKv`k I 0v`k tkYxi מקף/י D"P gva"igK Ktj R Qvov Avi I ךֿ׳ ai tbi c0Z0vrb c0vb Kiv nq:

- ךֿ׳ Kvg Ktj R A_׳ gva"igK ev nıB ךֿ׳ i m½ GKv`k I 0v`k tkYxh׳ c0Z0vb|
- mmm0Ktj tR, c0q mKj mmm0Ktj tRıB D"P gva"igK kvLv i tqtQ|

D"P מקף/י

D"P מקף/י mvari YZ cıP eQi tgqv`x, A_׳ (3 eQi mZK cvk + 2 eQi gv÷vm mmm) A_׳ (4 eQi mZK Abıv+m + 1 eQi gv÷vm mmm) | G Qvov Ggıclj ev mGBPmW mmm0 Rb` AıZwi 3 b`bZg h_vııtg 2 eQi Ges 3 eQi mgq c0qvRb nq| D"P מקף/י c0Z0vb ntpQ mmm0 Ktj R Ges wekte`ij q| G chıq t`tk mi Kvix I temi Kvix

ḡ Ae GWKkb

mvavi Y ukḡvi avivi vekḡe`ij tqi civkvcnk tgmWK`ij, c0KŠkj, Kul, ueÁvb I chḡy³
Ges Dbḡy vekḡe`ij q i tqḡQ|

gv`ḡmv ukḡvi Kwḡgv

gv`ḡmv ukḡvi cḡbḡU ḡli i tqḡQ:

1. cḡb eQi tgqv`x GeḡZ`vqx (mvavi Y ukḡvi cḡ_ugK ḡḡi i mggvḡbi)
2. cḡb eQi tgqv`x`vḡLj (mvavi Y ukḡvi gva`ugK ḡḡi i mggvḡbi)
3. `ḡb eQi tgqv`x Avnj g (mvavi Y ukḡvi D`P gva`ugK ḡḡi i mggvḡbi)
4. `ḡb eQi tgqv`x dḡvRj (mvavi Y ukḡvi mḡZK (civk) mggvḡbi)
5. `ḡb eQi tgqv`x Kḡvgj (gv÷vm^{ev} mḡZḡKvĒi mggvḡbi)

`vḡLj I Avj xg civḡvḡK h_vḡḡg GmGmim Ges GBPGmim civḡvi mgZḡ` aiv nq|
Zḡe dḡvRj I Kḡvgj ḡK GLḡbv vekḡe`ij q_ḡjv mḡZK (civm) Ges gv÷vm^{ev}ḡḡḡḡ
mgZḡ` ḡḡḡḡe ḡḡKḡZ. cḡvb Kḡi ḡb|

tḡvḡKkbyj ukḡvi Kwḡgv

Kḡvi Mix I eḡĒgj-K ukḡvi ḡZbḡU ḡli i tqḡQ:

1. GK ev`ḡb eQi tgqv`x mḡvḡḡḡḡK tKḡm^(8g tkYx DĒxYḡv fḡZḡ Rb` thvM`)
2. ḡZb eQi tgqv`x ḡḡḡcḡgv tKḡm^(gva`ugK ḡḡ civḡvḡq DĒxYḡv fḡZḡ Rb` thvM`)
3. Pvi eQi tgqv`x ḡḡḡḡḡḡḡKḡm^(D`P gva`ugK civḡvḡq DĒxYḡv fḡZḡ Rb` thvM`)

t`ḡk 51ḡU tḡvḡKkbyj tḡḡbs Bbḡ÷ḡDUḡU (ḡfḡḡAvB) mḡvḡḡḡḡK tKḡḡm^{cḡḡḡḡY t`I qv}
nq| 20ḡU cḡj ḡUKḡbK Bbḡ÷ḡDU Ges ḡeḡfḡeḡḡYxi 24ḡU gḡbḡḡUKḡbK Bbḡ÷ḡDU
ḡḡḡc-vgv chḡq Kḡvi Mḡi ukḡvi tKḡm^{cḡḡḡḡPj bv Kḡi _vḡK| ḡḡḡḡ chḡq GKḡU}
tḡ. UvBj tUKḡbyj ḡR Ges GKḡU tḡ`vi tUKḡbyj ḡR Kḡj R i tqḡQ|



civVvĚi gj`vqb- 2

A) eú ubePbx cĥæ

mivK DĚi vbt`Rgj-K AŋiivUřK eĚivqZ Kiab| (D`vniY: Avcbvi ubePZ DĚiivU K nřj GřK (K) eĚivqZ Kiab)

- evsj vř`tki ukŋiv e`e`vq KquU ukŋivaviv AvřQ?
K. GKivU
L. `BivU
M. ivZbivU
N. PvivU
- evsj vř`tk KZ eQi chSivukŋiv eva`Zivgř-K?
K. 10 eQi
L. 12 eQi
M. 14 eQi
N. 16 eQi
- gv`řmiv ukŋivi řKvb `řivU mřaviv Y ukŋivi DPP gva`vqK `řiv i mgZř`?
K. `vvlj
L. dmvRj
M. Avvj g
N. Kvvgj
- řřivřKkbivj ukŋiv e`e`vq vlvřcivgv řKvřtm`řivZř thvM`Zv Kř?
K. 5g řkřř civk
L. 8g řkřř civk
M. gva`vqK civk
N. DPP gva`vqK civk

Av) msvŋŋB DĚi cĥæ

- gva`vqK ukŋivi Dc`řiv`řjv Kř? cřZ`KivUv tgqv` Dřj Ľ Kiab|
- gv`řmiv ukŋivi `řiv`řjvi Dřj Ľ Kiab|
- cř`vqK ukŋivi `řiv`řjv i aZřcřřv K`řjvi Dřj Ľ Kiab|



mivK DĚi

A) 1| M, 2| K, 3| L, 4| M|

cW 3

ւկՂն շկմբ I e՛e՛ւււբւ

Dփիկ՛

GB cW փկփI Aւււբ —

- ◆ evsj ւփֿ փկի ւկՂն շկմբ KւՎտցւ e՛ւL՛ն KիփZ cւիօեբ Ges
- ◆ evsj ւփֿ փկի ւկՂն շկմբ KւՎտցւի մւփֿ_ Abփֿֿփկի ւկՂն շկմբ KւՎտցւի cւ_Ք՛՛ ւբփֿ՛Ք KիփZ cւիօեբ|

evsj ւփֿ փկի RւZxq ւկՂն e՛e՛ւի մմեՔ շկմբ I cւիPւյ բւի մթeՔP ՂցZւ I ՝ււզZ; ւկՂն gՏյւյ փգի Dci b՛ւ՛լ| ւկՂնցՏյ gՏյւյ փգի ւբեփք շկմբ| Zte A_՞msււՏի ւelqmgփնի ւբեփք շկմբ gՏյւյ փգի մւPe| mg՛ւբււZ ւelqK ւմxւՏի gՏյւյ փգի MքւZ nq| ւկՂն gՏյւյ q ւկՂնի մւփֿ_ msււո՞ hւeZxq AvՏի gՏյւյ q ւelqveյ xi I մյւնւ Kփի _ւփK| ւկՂն gՏյւյ փգ GKւU cւի Kի bւ փKւI AՏիփ՞ iփգփQ hւ gՏյւյ փգի AvI Zւաք ms՛ւmgփնի փկKZ.cՔի mgփնի cւի exՂY Kփի Ges cւի Kի bւ gՏյւյ q I cւի Kի bւ Kւցkփbi մւփֿ_ փւMւփւM մւաբ Kփի |

շկմմբK մյթeւի Rb՛՛ mgMուկՂն e՛e՛ւփK ՝ււ շկմբ Aսփk փւM Kիւ նփգփQ - c՞ււցK I MYւկՂն ւեփւM Ges gւaւցK I D՛P ւկՂն ւեփւM| ւեւփեաAւա՛Bi, Avաւ ՝ւգZկււււZ շկմբ I փկւււZ շկմբ փK՝ից շկմբ ւկՂն gՏյւյ q KZR.MքւZ bւււZ I Kւիթըց eւ՛եւգբ Kփի _ւփK| G_փյւի msւՂB cւի ււււZ ւբփP շկմբ Kիւ նյ |

c՞ււցK ւկՂն Aւա՛Bi

ւկՂն gՏյւյ q KZR.MքւZ c՞ււցK ւկՂն msււՏի bւււZցյւ v KւիՔի Kիւ GB Aւա՛Bփի Kիւ R| Zte AփK mgq GB Aւա՛Bi ւկՂն մաւււK՞ Lմու bւււZցյւ c՞ււգբ I PոՏիKիփYi e՛ււււփի gՏյւյ փգի ւբKU մցււիկI Kփի _ւփK| GB Aւա՛Bփի ՝ււզZ; նփյւ:

1. փRյւ c՞ււցK ւկՂն Aւււմ, _ւււ ւկՂն Aւււմ_փյւփZ KցՔZ KցՔZՔ, KցՔիւ x I c՞ււցK ւե՛ւյ փգի ւկՂն մաւււK՞ շկմբ, e՛e՛ւււբւ I cւի ՝k՞;
2. c՞ււցK ւկՂն մաւււK՞ bւււZ շկմբ I eւ՛եւգբ մաւււK՞ gՏյւյ փգի cիւցk՞ււ;
3. c՞ււցK ւկՂն Dbգբ շկմբ շկմբ I eւ՛եւգբ;
4. Aւա՛Bփի Aաք ւեւփեա՛փի Aւււմ I շկմբփbi շկմբK, cւի ՝kՔ I Ab՛ւււ՛ KցՔիւ x Ges ւկՂնKMփYi փկւււZ շկմբփYi e՛e՛ւււբւ;
5. c՞ււցK շկմբ Y Bբւ÷ւJDU I b՛ւկբյ GկւփWց di շկմբիւ GWKKb-Gi Dbգբ;
6. c՞ււցK ւկՂն eւփRU շկմբ I eիւ՛իKZ.Aփ_Ք մո՞eւնի ււււ՞ZKիY|
7. մթeփւի Aւա՛Bփի Aաք bb K՛ւււի KցՔZՔ, KցՔիւ x ւբփղM շկմբ ււււZ I e՛յxi e՛e՛ւււբւ|

gva`ngK I D`P ukŕv Ava`Bi

gva`ngK I D`P ukŕv Ava`Bi gva`ngK I D`P ukŕv cŕkmb Ges Z`viŕKi Rb` ukŕv gšŕvj ŕqi ubKU `vqx _vŕK| GB Ava`Bi wefvMiq Avdm, tRjv Avdm, gnwe`vj q, D`P we`vj q Ges gv`tmvngŕni mnŕhvmZvq cŕkmbK Kvŕŕej x cwi Pvj bv Kŕi _vŕK| GB Ava`Bŕi i cŕvb gnvcwi Pvj K| Zuŕ KvR mŕŕvŕte m`ubŕKivi Rb` ZŕŕK cwi Pvj K (gva`ngK ukŕv), cwi Pvj K (D`P ukŕv), cwi Pvj K (cŕkŕŕY) Ges cwi Pvj K (cwi Kŕi bv I Dbŕb) mn Ab`vb` wefvbŕchŕŕqi KgŕZP I KgŕvixMY mnŕhvmZv cŕvb Kŕi _vŕKb| GB Ava`Bŕi i KvR nj miKvix gva`ngK `ŕ, Kŕj R I gv`tmvngŕ cwi Pvj bv Kiv| G Qvovl GB Ava`Bi temiKvix gva`ngK `ŕ, Kŕj R I gv`tmvngŕŕK wevea cŕvi gŕjmn Zv`i ukŕŕK Kgŕvix`i teZb-Ab`yvb| cŕvb Kŕi _vŕK| gva`ngK I D`P ukŕv mŕmŕšDbŕb cŕŕi I GB Ava`Bi ev`ŕvŕb Kŕi _vŕK| GLvŕb Dŕj - L Kiv cŕŕvRb th miKvix `ŕ I Kŕj R, ŕjv GB Ava`Bŕi i mivmwi ubqšŕY _vŕK Ges temiKvix `ŕ I Kŕj R, ŕjvŕK KŕqKvŕ tŕŕŕ GB Ava`Bŕi i ubqšŕY tgŕb Pj ŕZ nq| ubeŕPZ MfvŕŕeW-Gi gva`ng temiKvix `ŕ I Kŕj Rmŕ cwi Pvj Z nq|

Kvii Mvi ukŕv Ava`Bi

Kvii Mvi ukŕv Ava`Bi Kvii Mvi ukŕv cwi Pvj bvi Rb` ukŕv gšŕvj ŕqi ubKU `vqx _vŕK| GB Ava`Bi ŕŕki cij ŕUKvbK, gŕbŕŕUKvbK I ŕfvŕKkbvj Bbv`wUDUmgŕni cŕkmb I Z`viŕKi KvR Kŕi _vŕK|

d`vmij vŕR cwi`Bi

ukŕv gšŕvj ŕqi Avl Zvaxb mKj cŕvi cZŕvR m`uv`b Ges wefvbŕ febmŕŕni iŕŕvŕteŕŕY Gi cŕvb KvR| GKrb cŕvb cŕŕŕŕjx KŕqKvŕ Avŕŕj K Kvŕŕŕ ŕqi gva`ng ukŕv Ava`Bŕi i Avl Zvŕŕ mKj Kvŕŕŕ q I ukŕv cŕŕŕŕŕbi feb ubgŕŕ I iŕŕvŕteŕŕY Kŕi _vŕKb| miKvix Ab`yvb ubgŕŕe` temiKvix ukŕv cŕŕŕŕŕbi febv` I GB cwi`Bi KZŕ.ubgŕŕ nq|

AvvU I Bbŕ`úKkb cwi`Bi

temiKvix gva`ngK I Kŕj R chŕŕqi ukŕv cŕŕŕŕŕbi Avvŕ ŕj bŕ`ŕbi wmvv ubixŕv Kiv GB cwi`Bŕi i cŕvb KvR| GKrb cwi Pvj K GB cŕŕŕŕŕbi cŕvb|

Ava`Bi Ges cwi`Bi ŕjv Qvovl ukQyAvav`ŕqZkvmmZ cŕŕŕŕŕb evsj v`ŕki ukŕv cwi Pvj bvi ŕŕŕŕ ŕ, iæ`vŕqZj; cij b KiŕQ| G ŕjv mŕŕŕŕŕc evŕŕŕ nŕjv:

- **wekte`vj q gŕjx Kvgkb** – Gi cŕvb `vŕqZj; nŕjv wekte`vj q ŕjv ukŕv Pvn`v ubjŕY Ges Pvn`vbŕvqx ukŕv Dbŕŕbi Rb` cwi Kŕi bv cŕŕb Abŕŕw`Z cŕŕŕi i ev`ŕvŕb I gj`vŕb|
- **gva`ngK I D`P gva`ngK ukŕv tevW** – ŕŕki 5vU gva`ngK I D`P gva`ngK ukŕv tevW©AvŕQ| G ŕjv gva`ngK I D`P gva`ngK ukŕv cŕŕŕŕŕŕ ŕjv ukŕv weŕqK weŕq ubqšŕY Kŕi Ges GmGmm I GBPGmm cixŕv `vŕqZj; cij b Kŕi |

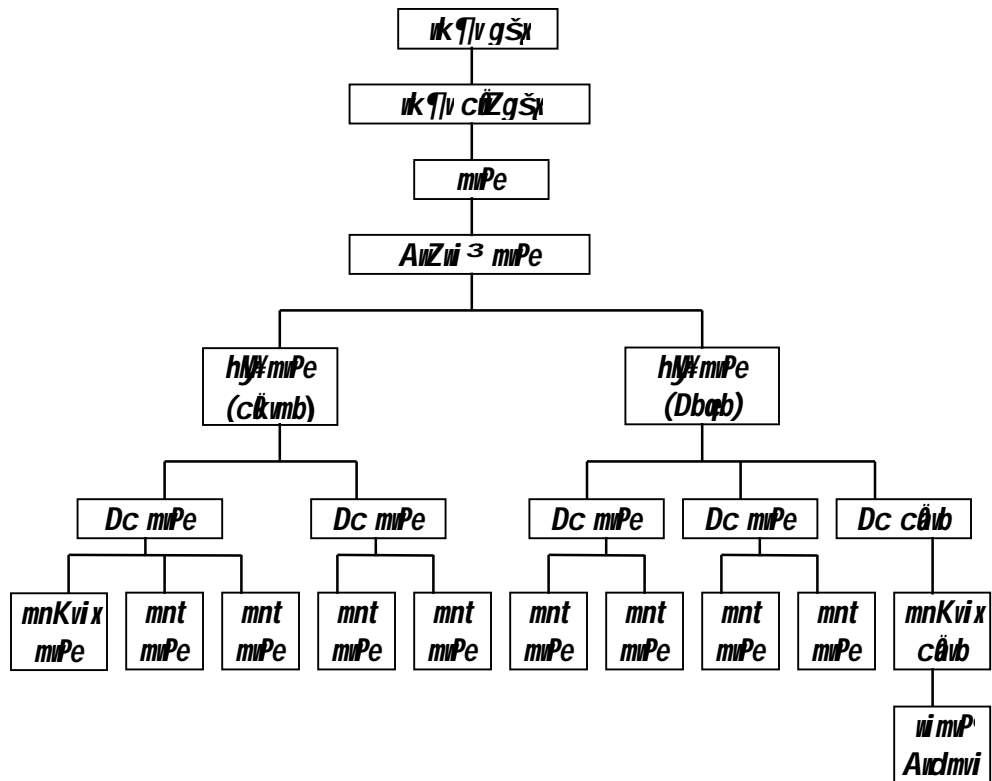
ḡ Ae GWḡKkb

- **KwiMni ḡḡv teW** – GB cĀZōvb, cij tUKġbK, gḡbḡtUKġbK, eḡĒgj-K ḡḡv cĀZōvbmgḡni ḡḡv mspḡḡḡelq, ḡjv ḡbqḡḡ Kḡi |
- **gv`ḡmv ḡḡv teW** – gv`ḡmv ḡḡv mspḡḡḡ`ḡḡZj:cij b Kḡi _vḡK |
- **RvZxq ḡḡvḡg I cv`cḡK teW** – gvaḡgK ḡi chḡḡ cĀZōvb, ḡjvi ḡḡvḡg, cv`mḡP cḡqb Ges Z`ḡḡḡḡḡi cv`cḡK cḡqb, gḡY I ḡZiḡYi KḡR mḡḡḡ`b Kḡi _vḡK |

G, ḡjv Qvovl mshḡ Ges ḡḡkl aiḡbi RvZxq cĀZōvb iḡḡ0 | thgb- bḡḡg, e`ḡḡḡBm |

- **NAEM** (b`ḡkḡj GKḡḡWgx di GWḡKkbj g`ḡḡRg`ḡU) – Gi `ḡḡZj:nḡjv ḡḡv cḡḡmb, cwi Kḡiḡv Ges e`e`ḡcbv ḡelḡḡ ḡḡv cḡḡḡḡbi EaḡZb KgḡZḡ`i PḡKḡxceḡGes PḡKḡxKijxb cḡḡḡY cḡḡb Ges Gme tḡḡḡ MḡelYv cwi Pḡj bḡ | ḡḡmGm (ḡḡv) K`ḡḡḡḡ`i dḡḡḡḡḡ tḡḡḡḡ GLḡḡḡ t`qḡ nq |
- **BANBEIS** (eḡsj ḡ`k eḡḡiv Ae GWḡKkbj Bbdiḡkb GŪ ÷ḡḡḡḡḡḡ) – Gi cḡḡḡ `ḡḡZj:nḡjv ḡḡḡḡḡj-K Z` mḡḡḡḡ, mḡKj b, gḡY I cḡḡi Yv |

ḡḡ 2: eḡsj ḡ`ḡḡi ḡḡv cḡḡmb Kḡḡḡḡ





civvEi gj`iqb - 3

A) eú ubePbx cĕæ

mivK DĒi ubt`Rgj-K Aŋi uŋK eĒiqZ Kiab | (D`vniY t Arcbvi ubePZ DĒi uŋ K ntj GtK (K) eĒiqZ Kiab)

1. ukŋv gšyij tqi A_ m=úuKZ mel qmgtni ubePbx cĕvb tK?
 - K. A_ gšy
 - L. ukŋvgšy
 - M. ukŋv miPe
 - N. msm`xq ukŋv Kugui miFvcuZ
2. tKvbuU Avav`vqZkvimZ cĕZövb bq?
 - K. AvuU GÜ BŸtcKkb cwi`Bi
 - L. iekje`ij q gÄjx Kugkb
 - M. gva`igK I D`P gva`igK ukŋv tevW©
 - N. RvZxq ukŋvµg I civ`cyK tevW©
3. tKvbuU NAEM-Gi`vqZzi gta` cti bv?
 - K. weimGm (ukŋv) dvDtÜkb tUlbs cŕvb
 - L. ukŋv KgRZMŸyi PvkziKvj xb cĕkŋY cŕvb
 - M. ukŋvgj-K Mtel Yv cwi Pvj bv
 - N. ukŋvgj-K Z_`msMh I mskj b
4. gva`igK I D`P ukŋv m=úuKZ cĕKí ev`evqb Kti tKvbuU?
 - K. ukŋv gšyij q
 - L. gva`igK I D`P ukŋv Avva`Bi
 - M. iekje`ij q gÄjx Kugkb
 - N. cwi Kí bv tKv
5. gva`igK I D`P ukŋv Avva`Bti i cwi Pvj tKi msL`v KZ?
 - K. `BRb
 - L. vZbRb
 - M. PviRb
 - N. cvBRb

Av) msvŋB DĒi cĕæ

1. cŕigK ukŋv Avva`Bti i KtqkuU cĕvb`vqZzi Dŋj L Kiab |
2. gva`igK I D`P ukŋv Avva`Bti i KtqkuU cĕvb KvŋRi Dŋj L Kiab |
3. KtqkuU Avav`vqZkvimZ cĕZövtbi msvŋB cwi uPvZ v`b |
4. d`vniuj uJR cwi`Bti i cĕvb KvR_ tj v Kx?
5. bvŋqg uK aiŋbi cĕZövb? Gi`vqZi Kx?



mivK DĒi

A) 1 | M, 2 | K, 3 | N, 4 | L, 5 | M |



პირსი გჯი იკბ

A) ეუ იბეიპხ ციკე

მიუკ დეი იბეი რგჯ-კ აქი იუჰკ ექვიკი კი აბ | (დ`ნი ი თ არცვი იბეიპზ დეი იუ
კ ნიჯ გჰკ (K) ექვიკი კი აბ)

1. ევსი იჰ ჰკ ცი უკი იკ ილ ევა ზვიკ-კ აიბბ ციკ ნკ თკიბ მიქი ?
 K. 1972
 L. 1974
 M. 1990
 N. 1992
2. გუ იმი იკ ილავიკი კი იუ ზი იჰჰო?
 K. ზიუ
 L. იზბიუ
 M. პვიუ
 N. ციბიუ
3. მიქი უი ვბუ ზი თკიბ ზი ი იკ ილ ცი ვბ კი ნკ?
 K. იკ ივი მიქი
 L. ცი უკი
 M. იბგავა იგკ
 N. გვა იგკ
4. იკ ჰკვი I იკ ჰკვი ეი კი ქი ი იკ ილ ზი თკიბიუ?
 K. იბგავა იგკ
 L. გვა იგკ
 M. დ`პ გვა იგკ
 N. დჰი ი მე, იჯ
5. იკ ილ გსიქი ქი იბეიპხ ცი ვბ თკ?
 K. ცი იბგსიქი
 L. მსმ`იქი კი იუ ი მფციუზ
 M. იკ ილ გსიქი
 N. იკ ილ მიპე
6. მი კვი გუ იმი გრ ცი პიჯ ბი ი იკ ილ ბ კი თკიბიუ?
 K. გვა იგკ I დ`პ იკ ილ აი აი ბი
 L. გუ იმი იკ ილ თეი
 M. ეი ბჰე ბმ
 N. გვა იგკ I დ`პ იკ ილ თეი

Av) iPbvj-K cka

1. ersjv`tki ukvivi j`q` I Df`k`vej eY`v Kiab|
2. ersjv`tki ukvivi Kvitgvi c`vn wP` AsKb Kiab Ges Gi ,iaZcY`
w`K`tv eY`v Kiab|
3. ersjv`tki ukvivi ckvmb I e`e`vcvvi t`q`f` gS`vj q I Gi Aarb`I
Ava`B`ii ,iaZjeY`v Kiab|



mVK D`i

A) 1| M, 2| N, 3| L, 4| N, 5| M, 6| K|

fviþZi ukŕŕve'e'v

fvgKv

1947 mvþj 'vaxbZv jvþfi ci fviþZi RvZxq ukŕŕve'e'v Mto tZvjvi jþŕŕ' e'vcK Dþ' vM MðY Kiv nq| hþMi cðqvRb, mgvþRi Pwn`v Ges mgvR weeZþbi mvþ_ mþwZ iŕŕv Kþi ukŕŕvi ms`vi I cþMþþbi jþŕŕ' AþbK_ þjv ukŕŕv Kvgkb MvWZ nq|

ZvivPvü KvgvUi wþcvþU©(1948-49) meðŕg 20 ermi tgqv`x ukŕŕv Dbqþb cvv Kíbvri ceŕŕvl cvl qv hvq| GB KvgvU 5 ermtii cðwK, 3 ermtii wbgæ gva'wgK Ges 4 ermtii gva'wgK ukŕŕv A_ŕ wekte`vj þq cðetki Rb` 12 ermtii ukŕŕv cþwZi mþwv k Kþib| GB KvgvU eúgþx cvV`þg Ges GKvU gvŕ mgvþB cixŕŕvi K_vl etj b| GB mgþq W. ivavKþði tbZþZ; MvWZ wekte`vj q Kvgkb fviþZ gva'wgK ukŕŕvþKB `þþZg Askifc AvL`v t`b, hvi dj kðwZþZ 1952-53 mþb W. j ŕŕY`ŕgx gþwv qþi tbZþZ; gva'wgK ukŕŕv Kvgkb MvWZ nq| Gme KvgvU mþúþK©ejv hvq th, G_ þjv mþwv k KíþQb wevObvþte, wevfbæ weIq I wevfbæ`li mþúþK©Ges Gme tRiovZwv w þq RvZxq ukŕŕve'e'v Mto tZvjv mþe nqub| GB Amvþj þK 0`_ŕxb fvlvq `ŕKvi KþiB 1966 mþb meŕŕviZxq ukŕŕv Kvgkb A_ŕ tKvWvvi Kvgkb MVb Kiv nq| ukŕŕvi me©þi i Dbqþb mvaþb GB Kvgkþbi mþþvšZ AvfþgZ AZ`šlcþksmbvq|

GB BDibþU AvavþK fviþZi ukŕŕve'e'vi Dci AvþjvKcvZ Kþi wZbvU cvV Dc`rcb Kiv nþqþQ|

- cvV - 1 RvZxq ukŕŕvþwZ, ukŕŕvi j ŕŕ' I Dþ'þk`
- cvV - 2 ukŕŕvi KvVþgvMZ ifc
- cvV - 3 ukŕŕv cðvmb I e'e'rcbv

cW 1

RvZxq uk`qvbwZ, uk`qvi j`q` I Df`ik`

Df`ik`

GB cW tk`l Av`cwb —

- ◆ fvi`zi RvZxq uk`qvbwZ eY`v Ki`z cvi`teb;
- ◆ fvi`zi uk`qvi j`q` I Df`ik`vej eY`v Ki`z cvi`teb Ges
- ◆ uk`qvi j`q` I Df`ik`vej wba`f`i t`q`f` RvZxq gj-bwZi c`Zdj b mbv³ Ki`z cvi`teb|

RvZxq uk`qvbwZ

tKv`vni Kugk`bi mgvni`tki wfu`E`z 1968 mvtj tk``iq gšymfvq RvZxq uk`qvbwZ tNvlyv Kiv nq| 17wU `dvi GB tNvlyvi gta` th me ,iaZcY` w`K, tjvi Dfj - L Kiv ntq`Q Zv nj :

1. msueav`bi wbt`R Abyv`ti 14 eQi eqm chSf meRbxb, A%ZwbK Ges eva`Zvgj-K uk`qvi bwZ Kih`Ri Kiv|
2. RvZ, ag, eY, Av`Aj K I mvgvRK `elg` wbe`f`k`l mKtji Rb` uk`qvi mgvb m`thvM m`w` Kiv|
3. bviX uk`qv, mvtjiZv I eq`- uk`qvi Dci ,iaZj Av`ivc Kiv Ges correspondence course c`Pj b Kiv (we`k`l Kti kigK-KI.Kt` i Rb`)|
4. RvZxq msnwZ I ms`wzi weKvk mva`bi j`q` wzb-fvlv m`f`i c`q`vM Kiv| A`f` `z` `f`i uk`qvq Avn`x AA`tj uk`qYxq fvlv nte – gvZfvlv, BstivR I un`x Ges un`x AA`tj uk`qYxq fvlv nte – un`x, BstivR Ges Ab` GKwU Avav`K fviZxq fvlv (m`e` ntj GKwU `w`qY fviZxq fvlv)|
5. Kj`vYgj-K I Kg`Avf`ÁZvq eva`Zvgj-K fite mKj uk`qv` AskM`Y Kiv|
6. uk`qvi gv`bvq`bi j`q` Dch` uk`qK wbt`q`vM I c`k`qY c`vb Ges Dch` teZb, mvgvRK m`f`b I tckvMZ `vaxZv wbu`Z Kiv|
7. A`%wZK Dbq`b Zjv`S`Z Kivi j`q` we`Avb, MvYZ, c`h` I M`telYvi m`thvM m`w` Kiv|
8. uk`qvi Rb` mgtch`q RvZxq Av`qi 6 kZvsk eiv`i Kiv|

uk`qvi j`q` I Df`ik`

fvi`zi uk`qvi j`q` I Df`ik`vej x Dcwi Duj wLwZ RvZxq uk`qvbwZi Dci wfu`E` KtiB c`v`xZ ntq`Q| tk``iq uk`qv gšyvj q uk`qv e`e`vi c`p`v`bi j`q` 1985 mvtj Challenge of Education – A Policy Perspective tNvlyvq uk`qvi j`q` I Df`ik`vej x thfivte weaZ Kti`Q Zv wbt`g`Z`j aiv nj :

1. tgav I gbtbi mKj tŋtŋ bezi Ávtbi űeKvk mrvab |
2. Dbqab I AMŲuZi cŋ_ űei vŲRZ mgm'vej x mgvavtbi Rb" cŲqvRbxq Ávb I `ŋZvi űeKvk mrvab |
3. tŋšZ I mvgvŲRK cwi tek m'útk© űkŋv_ŋ Dcjwä űeKvŋk mrvqZvKiY |
4. e'ir³i Av_ŋmvgvŲRK ~'Q>, thvM'Zv I mRbkxj Zv űeKvŋki j tŋ' –
 - e'ir³tzi ~'űnk, gvbumK I b'v`űbK ű Kmgŋni űeKvk mrvab,
 - MYZvšŋ, `bvZK I Ava'vŲZŋ gj`teva Ges `eÁvűbK `ŋŋf'wzi cwi űžb,
 - ARvbv cwi ű'ŲZ tgvKvtej v I D''űtbi Rb" AvZ'űekŲm RvMžKiY,
 - cŲkűZK, mvgvŲRK, A_ŋbvZK, mvs`űZK I cŲŋv³MZ cwi tek m'útk©mŋPZbZv mŋŋKiY |
 - KŋVvi cwi kŋ Ges kŋgi ghŋv m'útk©Abŋj `ŋŋf'wzi Dŋbŋ mrvab,
 - agŋbiŋcŋZv I mvgvŲRK b'vŋűePvŋi bvZi cŲZ űbtew`ZKiY,
 - t`ŋki ALŲZv, m'ŋb I AMŲuZi ~'ŋDŋa'ŲZŋ aivi Rb" űbtew`ZKiY Ges AvšRŲZK mgŋSvZvi Dbqab |
5. űeŲfbre űkŋYxq űelŋqi ZĒ; Z_ I Ávtbi űeKvk mrvab Ges fvlv I thvM'ŋhvtMi tŋtŋ `bcŲ" ARŋbi c'kvvcvűk tLjvavjv I Avtgv` cŲgvŋi cŲZ AbjvM mŋŋKiY |
6. t`ŋki AMŲuZi aviv I Kgvŋtŋi mŋhvtMi mŋ_ mvgÄm" eRvq tiŋL űkŋv_ŋ`i cŲqvRbxq Ávb I `ŋZv ű tŋ thvM'Zv ARŋb mrvqZvKiY |
7. űkŋvi űe`ri Ges gvŋbvűbKiY hvŋZ ag, eY, gZv`k, A_ŋbvZK Ae`v űbűeŋkŋl b'vix c'jŋ cŲZ`ŋKB mŋeŲP űeKvŋki mŋhŲM cvq |
8. mnbkxj Zv I Aŋb'i gZvŋŋzi cŲZ k'v'kxj nŋqvi ,iaž; AbŲvŋb űkŋv_ŋ`i mrvqZvKiY |
9. űkŋvi mŋ_ mgvŋRi thvMmŋ`vcb |



cvVvEi gj`vqb- 1

A) eú ubePbx cĕæ

mWVK DĒi vb`Rgj-K AŋiUŋK eĒvqZ Kiab | (D`vniY: Avcbvi ubePZ DĒiU K ntj GtK Ⓚ eĒvqZ Kiab)

1. tKvb wiŋcvU[©]meĒlg eúgĒx cvVµg Ges GKU gvĪ mgvB cixŋvi mgvvi k cŏvb Kŋi?
 K. Zviv PvĪ KvgU wiŋcvU[©]
 L. ivavKò.Y Kvgkb wiŋcvU[©]
 M. gyvuj qvi Kvgkb wiŋcvU[©]
 N. tKvVix Kvgkb wiŋcvU[©]

2. RvZxq msnvZ I ms`wzi meKvk mvaŋbi jŋŋ` fviŋzi RvZxq wŋŋvbvZŋZ tKvbU Dci , iaZ; Avŋvc Kiv nq?
 K. meRbxb wŋŋv KvhRi Kiŋyi Dci
 L. mKŋi Rb` wŋŋvi mgvb mŋhM mŋpKiŋyi Dci
 M. RvZ, ag, eY, AvĀvj K I mgvRK `elg` vbimŋbi Dci
 N. wZb-fvlv mĪ i cŏqMKiŋyi Dci

3. wZb-fvlv mĪ Abŋvqx Avn`x AĀŋi wŋŋYxq fvlv nŋe tKvbU?
 K. BŋiR, wn`x I Ab` GKU AvavbK fvlv
 L. gvZfvlv, BŋiR I wn`x
 M. gvZfvlv, wn`x I Ab` GKU `wŋŋY fvi Zxq fvlv
 N. gvZfvlv, BŋiR I Ab` GKU `wŋŋY fvi Zxq fvlv

Av) msvŋB DĒi cĕæ

1. fviŋzi RvZxq wŋŋvbvZi cvU , iaZcY[©] dvi DŋjL Kiab |
2. wZb-fvlv mĪ wK Zv e`vL`v Kiab |
3. wŋŋvi cĕvb 5Uj ŋŋ` I Dŋk` DŋjL Kiab |



mWVK DĒi

A) 1 | K, 2 | N, 3 | L |

¶1: fviZi wk¶v KwWgv

	শিক্ষিত ক	Øv`k tkYx DaY`tkYx	mæZK I mæZtkvEi
মাতৃশিক্ষিত		GKv`k I Øv`k tkYx	D`P ga`igK
		beg — `kg tkYx Aóg — `kg tkYx	wbga`igK
		Iô tkYx — Aóg tkYx cÂg tkYx — mBg tkYx	D`P cØ`igK
প্রাথমিক শিক্ষিত		cØ`g tkYx — cÂg tkYx cØ`g tkYx — PZz`tkYx	wbga`igK

wbga`igK `fi i tkl cØ`s, A_¶ 10 eQ`ii wk¶vi tktl AbjZ nte cØ`g mvaviY cix¶v (tmkE`vix `z mnuØ`tku cix¶v) | `k eQie`vcx GB wk¶v nte mvaviY wk¶v, tkvb we`tklxKiY _vKte bv |

• **D`P gva`igK wk¶v**

we`vj`qi tkl `fi itqtQ `B eQ`ii D`P gva`igK wk¶v, A_¶ GLv`b wk¶v_¶v GKv`k I Øv`k tkYx ch`Aa`qb Kti | GB `fi we`tkl cv`vi mPbv Kiv ntj I Pig we`tklxKiY Kiv nq bv | D`P gva`igK wk¶v tktl nvqvi tmkE`vix `z mnuØ`tku cix¶v MhY Kiv nq |

• **D`P wk¶v ev wekte`vj q wk¶vi `fi**

wekte`vj q wk¶vi `fi itqtQ wZb ev Z`ZvnaK eQ`ii cØ`g wvWv`li (e`vPj i wvWv`li) Ges Z`jaY`2 eQ`ii wZxq wvWv`li ev gv÷vm`wvWv`li | GB `fi mvaviY wk¶v Qvovl bvbv aitbi cY`mg`qi wk`sev AvsukK mg`qi wk¶v itqtQ | D`P `fi i wk¶v ch`q 4wD D:gy wekte`vj q Ges 45wD Ab`vb` wekte`vj q we`fbæaitbi cØ`g GKkuW wv`tc-vgv tkvm`cwi Pvj bv Kti _v`tk | 1986 mtj w`j-x`Z RvZxq ch`q `mcZ Indira Gandhi National Open University (IGNOU) cØ`g 150wD Av`w`j K tkb`i mrvqZvq `i-wk¶vY c×wZ`Z we`fbæ we`l`qi wv`tc`gv, wvWv`tkvm`cwi Pvj bv Kti _v`tk |

ᄡ Ae GWKkb

- **KwiMwi ukŕv**

ivR" KwiMwi ukŕv tevW©mviU@tKU, wWtcvgv I wWwM0 chŕqi newfbœaitbi KwiMwi ukŕv tKvm©cwiPvj bv Kti| ukí tUŕbs tevW©, cij tUKwbK I iaivj Bbw=UUDU, tŕv eù aitbi tUW Ges tmtµUwviqvj tKvm©cwiPvj bv Kti| `k eQtii ᄡ tKvm©k†I GB tKvm©tŕv†Z fivZŕnl qv hvq|

- **I†cb ᄡ**

1979 m†b ōtmUŕj tevW©Ae tmtKŪvix GWKkb0 KZR ōDbŕ we`ij q0 c0Z0 Kiv nq| 1990 m†b fviZ miKvi GKwU tiR†j k†bi gva†g Rivxq Dbŕ ᄡ†K gva†gK I D"P gva†gK chŕq tKvm©cwiPvj bv, cixŕv MhY I mviU@tKU cŵv†bi ŕgZv cŵvb Kti| 1992-93 ukŕve†I©mviv fvi†Zi 2.5 j†ŕŕi I AwaK ukŕv_ŕGB ᄡ† i newfbœ†Kv†m©FivZŕnq|



cvWvEi gj`vqb - 2

A) eú ubePbx cĕæ

mWVK DĒi wĕ`Rgj-K AŕiWUĕK eĒvWqZ Kiab| (D`vniY: Avcbri ubePZ DĒiWU K nĕj GĕK (K) eĒvWqZ Kiab)

1. Wkŕvi weĕkIxKiY tKvb `ĕi i iæng?
 - K. Wbgævva`WgK `ĕi
 - L. D`P gva`WgK `ĕi
 - M. wekpe`'vj q `ĕi
 - N. Kvi Mvi Wkŕv `ĕi

2. e`vĕPj i WvWŦ`li KZ eQi tgqv`x?
 - K. `B eQi
 - L. WZb eQi
 - M. Pvi eQi
 - N. cvP eQi

3. tKvbiW mWVK bq?
 - K. cŦ`WgK Wkŕv `ĕi i `BvW Dc`li i tqtQ
 - L. gva`WgK Wkŕv `ĕi i `BvW Dc`li i tqtQ
 - M. cŦ`WgK Wkŕv cĕjv Qq eQi eqĕm i iæng
 - N. Wkŕvi gj`vWqZj tK>`ĕq mi Kvi i Dci b`ĕ

4. Bw`iv MvÜx b`vkbyj I ĕcb BDwbvWmWU tKvb aiĕbi tKvm©cwi Pj b v Kĕi?
 - K. Wvĕc- vgv I WvWŦtKvm©
 - L. GmGmvm I GBPGmvm tKvm©
 - M. tUW I tmĕµUvvi qvj tKvm©
 - N. Dcĕi i me`Wj

Av) msWŕB DĒi cĕæ

1. gva`WgK Wkŕv `ĕi Kivĕtgvvi msWŕB eYŦv W`b|
2. D`P Wkŕv `ĕi Kivĕtgvvi msWŕB eYŦv W`b|
3. D:gy` Wkŕv e`e`v m`úĕKŕv Rvĕbb Zv Dĕj L Kiab|



mWVK DĒi

A) 1| L, 2| L, 3| N, 4| K|

cW 3

ukŋv cġmb I e'e'vcbv

Dġik"

GB cW tkġI Avcb —

- ◆ fviġZi ukŋv cġmb tK>`ġq Ges ivR" miKvġii fvgKv vbYq KiġZ cviġeb Ges
- ◆ ukŋv cġmb I e'e'vcbvi tŋġġ tK>`ġq Ges `vbvq miKvġii GLwZqvi I `vq-`vqZ;chġj vPbv KiġZ cviġeb|

iġóġ fvgKv

cwi Kwġ Z ukŋvi mvġ_ ivóġq `vqġZ; msthvM AvZ vbweo| GB cġġ½ meġġg Dġj-LġhvM" c`ġġc nj RbmaviġYi ukŋv jvġfi AvġKvi mġúġK©ivóġq KZġe"i `ġKwZ| fviZxq msġeavġbi tgġj bmvZ Ges tgġġj K AvġKvi chġq 45 Ges 46 bġġ AvġġKġj GK_v ej v nġġġQ| ivóġq `vqZ;cvġj Z nq tK>`ġq, ivR" I `vbvq `ġi, GB wġkw³i Askx`vviġZ;|

tK>`ġq miKvġii fvgKv

tK>`ġq miKvġii ukŋv vclqK `vq-`vqZ;mġú`vġbi Rb" iġġġQ ukŋv gġġvj q| ukŋvgġġ GB gġġvj ġqi cġvb| gġġġK mġvġh" Kivi Rb" iġġġQb GKrb mġPe, GKrb AvZwi³ mġPe Ges ukŊvmsL"K hġġmġPe, DcmġPe I mnKvix mġPe| gġġvj ġqi AvġZvq cġq 46wġ `vqZġvwmZ cġZġvb iġġġQ| thġġjv ukŋv gġġvj ġġK mgġq cwi Kġbv I KgġmġP mġMvb I ev`ġvqġb mġvġh" Kġi_vġK| gġġvj q KZR. ukŋvi `vq-`vqZ; bmvZMZFvġe Avgj v I ukŋvme`MġYi thġ_cġġġmi gva`ġg mġúv`ġbi K_v vevfbavkŋv Kvgkb wġġcġġU`Dġj-L Kiv nġġġQ| Kvġġġġġ Aek" cġq mKj tŋġġġB Avgj vġ`i cġvġb" t`Lv hvq|

gġġvj ġqi cġvb `vqZ; nj— (K) ukŋvġġġġġ mġġhvM-mġġavi mgġġ, (L) `eAvġbK I KwġMġx ukŋvi cġġvi I DbwZ, (M) D"p ukŋvi gvġbvġġb, (N) meġKvi MġelYvi Drmġv I mġúġġviY, (O) meġviZxq cwi Iġ`i gva`ġg cġġġgK I gva`ġgK ukŋvġġġġġ ivR", ġġvi cġġÓvi mgġġ, (P) wġw`i vev`liY I Av`vb" fviZxq fvġvi Dbġġb, (Q) ukŋv vclqK hvvZxq evġcġġi Av`vb" t`k I UNESCO-Gi mvġ_ thvMvġhvM mvab Ges (R) ukŋv Kvgkb vbġqvmKġiY I ukŋv cwi Kġbv cġġġb|

ukŋvi vevfbavk K I `li mġúġK©ukŋv gġġvj ġġK civgk©cġvġbi Rb" thme cġZġvb iġġġQ tmġġjvi ġġa" DġjLġhvM" KġqKwġ nj – All India Council of Elementary Education, National Institute of Basic Education, All India Council of Secondary Education, University Grants Commission, All India Council of Technical Education, Central Advisory Board of Education (CABE), National Council of Educational Research and Training (NCERT) cġġwZ. mġMvb|

ivR` miKv`ii `wqZ;

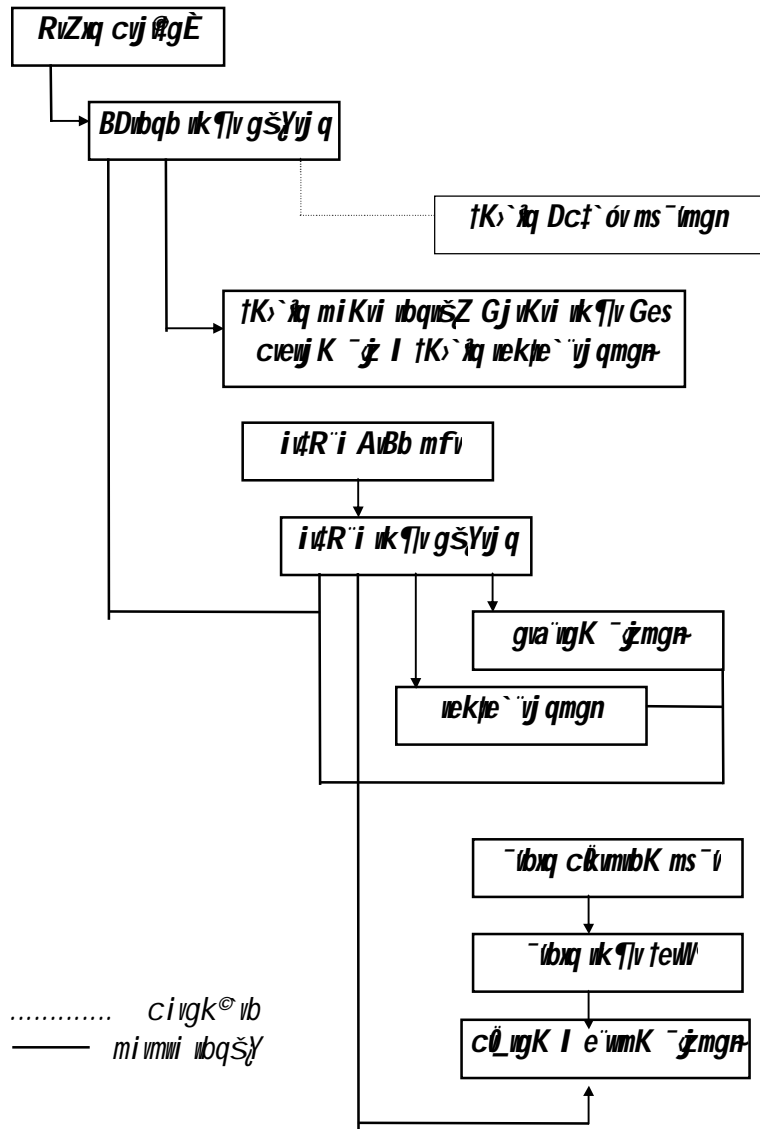
mysieavibK A`_`k`vi `wqZ; ivR` miKv`ii | ivR` miKv`ii GKU ivR` uk`v
gš`vj q itq`Q, hvi c`vb nj GKRB gš`x | ivR`i gE`gš`x KZR. ubtqvMc`B
uk`v`gš`x Zui `vq`wqZ; Reve`xvzi Rb` cvj`g`Uj ubKU `vqx | ivR`i
c`ugK I gva`ugK uk`v`i me`aK mel`q uk`v`gš`x c`q me`g`q v`gZv itq`Q |
we`vj`q ciWZe` mel`q, ciV`vb mgqm`P I c`x`Z, uk`v`K`i teZb I Pvk`z`mewa,
Qv`teZb BZ`w` mel`q ivR` miKvi B b`v`Z uba`Y K`i _`v`K | G Qvov bvi`uk`v,
eq`_`uk`v, Kvi`Mvi x I e`E` uk`v`v m`u`K`P ivR` miKv`ii c`Z`q `wqZ; itq`Q |
gva`ugK uk`v`i Rb` itq`Q Avav-miKvix uk`v`v tevW` c`ugK I gva`ugK ``i
uk`v`v cwi`Pvj bvi t`q`T` ivR` miKvi `vbxq `vq`E`xv`mZ c`Z`v`bmg`ni
m`th`v`vzi Dci`v`f`P K`i | c`v`š`i, D`P uk`v`v t`q`T` ivR` miKvi `vq`-
`wqZ; mekte`vj q I tK`>`x`q miKv`ii m`v`_`v`M K`i t`b`q | Ab`K`_`v`q ejv hvq,
we`vj`q ch`q`g`-Zt `vbxq miKvi I ivR` miKv`ii Askx`v`i Z; Ges D`P uk`v`v
ch`q`g`-Zt ivR` miKvi I tK`>`x`q miKv`ii Askx`v`i Z; ia`z; t`c`q Avm`q |
gš`vj`q`i KgRv`E` cwi`Pvj bvi Rb` GKRB m`P`tei t`b`Z`Z; GKU m`P`ev`q
itq`Q | G Qvovl itq`Q Rb`uk`v`v cwi`Pvj`K`i `B`i | Gi kvLv me`v`M t`R`j`v ch`S`
we`Z | Rb`uk`v`v cwi`Pvj`K`i `B`i c`v`f`bi kvR n`"Q uk`v`v me`v`b`e`f`q`T` M`v`Z
b`v`Z ev`é`v`q`b Kiv | ersj vt`k`i Rb`uk`v`v cwi`Pvj bvi g`Z`B fvi`Z`i Rb`uk`v`v
cwi`Pvj`K`i `B`i cwi`Pvj`K, Dc-cwi`Pvj`K, mnKvix cwi`Pvj`K, `z` BY`c`±`i,
m`v`i`v`BRvi c`ch`P`vi KgRZ`P itq`Q | Z`te e`e`v`cbvi w`K w`t`q me`v`b`e`
ivR`i g`a` w`KQ`v`v`v`b`z`v`l t`Lv hvq | v`P`T` fvi`Z`i cwi`g`e`t`z`i gva`ugK uk`v`v
c`k`v`m`b`K Kiv`v`g`v Dc`v`cb Kiv nj |

`vbxq uk`v`v KZ`E`q

c`Z`U`W ivR` uk`v`v gš`vj`q c`ugK I gva`ugK uk`v`v ubq`š`y K`i`j`l `vbxq
KZ`E`q uk`v`v c`k`v`m`b` e`v`c`K`f`v`te AskM`h`Y K`i _`v`K | t`R`j`v ch`q`g` c`k`v`m`b`K
me`K`>`K`i`Y K`i v`g`D`v`b`v`c`v`v`j`v` Ges c`A`v`q`Z`K c`ugK I gva`ugK uk`v`v
e`e`v`cbvi `wqZ; t`q`v n`q`q`Q | c`ugK uk`v`v`K me`R`b`x`b I eva`Z`v`g`-K Kivi
D`T`I`k` "District Approach" M`h`Y K`i t`R`j`v uk`v`v c`k`v`m`b` Kiv`v`g`v k`v`v`k`v`x
Kiv n`q`q`Q | Z`te Kvi`K`z`v`g I m`t`j`evm c`v`q`b, uk`v`K ubt`q`v`M I c`k`q`Y, cix`v`v
I A`_`q`b I BZ`w` , ia`Z`c`Y`K`v`h`e`j`x ivR` miKv`ii ubq`š`f`B itq`Q |

me`k`k`l ejv hvq, uk`v`v c`k`v`m`b` ivR` c`k`v`m`b`i GL`v`Z`q`v`i n`j`l me`v`vi`Z`x`q
cwi`K`i`b`v`i m`v`v`th` e`E` e`e`v, mekte`vj`q g`A`j`x` K`v`g`k`b Ges me`v`b`e`v`me`v`vi`Z`x`q
cwi`l`i`ga` w`t`q, m`te`f`c`v`i Avv`_`R` m`v`v`th`i me`v`b`g`t`q c`Z``q` uk`v`v`c`v`i`v`f`v`te
tK`>`x`q uk`v`v gš`vj`q n``t`q`c` K`i`b` |

v`P`I 2: fvi`Z`i uk`v`v c`k`v`m`b` Kiv`v`g`v





cvWvEi gj`vqb - 3

A) eú ubePbx cĕæ

mWVK DĒi vbt`Rgj-K AŋiWUŋK eĒvqZ Kiab | (D`vniY: Avcbvi ubePZ DĒiWU K ntj GtK Ⓚ eĒvqZ Kiab)

1. vKŋv Kvgkb vbtqVM KiŋYi `vqZi cvj b Kti tKvWU?
 - K. ŋm>Uŋj A`vWfvBRvi tevW⁹Ae GWŋKkb
 - L. tK>`ŋq vKŋv gšŋvj q
 - M. ivR` vKŋv gšŋvj q
 - N. `vbxq vKŋv KZEŋ

2. ŋKvb `ŋi vKŋv cwi Pvj bvi tŋŋŋT ivR` mi Kvi I tK>`ŋq mi Kvi `vq-
`vqZi fvM Kti tbq?
 - K. cŰvgK vKŋv
 - L. gva`vgK vKŋv
 - M. D`P vKŋv
 - N. eŋĒgj-K vKŋv

3. v`ij ŋqi vKŋKŋ`i teZb I PvKŋvveia m`úvKŋZ bWZ vbaŋŋ Y Kti tK?
 - K. tK>`ŋq mi Kvi
 - L. ivR` mi Kvi
 - M. `vbxq KZEŋ
 - N. v`ij q KZEŋ

4. vgdvWvWvWvW Ges cĀvtŋŋZi `vqZi tKvWU?
 - K. Kvi Kŋvg I vWŋj evm cŰq
 - L. vKŋK vbtqVM I cŰKŋY
 - M. QvT teZb vbaŋŋ Y
 - N. cŰvgK I gva`vgK vKŋvi e`e`rcbv

Av) msvŋŋB DĒi cĕæ

1. tK>`ŋq vKŋv gšŋvj ŋqi cĀvb `vqZi, ŋvi DŋŋL Kiab |
2. ivR` vKŋv gšŋvj ŋqi cĀvb `vqZi, ŋvi DŋŋL Kiab |



mWVK DĒi

A) 1 | L, 2 | M, 3 | L, 4 | N |



Ppŕšġj-ġqb

A) eŭ ũbePbx cġæ

mŭWK DĒi ũbġ Rġj-K AŕġiŭŭK eĒŭŭZ Kiab | (D`vniY: Avcbri ũbePZ DĒiŭ K nġj GġK Ⓚ eĒŭŭZ Kiab)

1. 1966 mŕġj tKvb ũkŕŭv Kŭgkb Mvb Kiv nq?
 - K. Zviv Pŭ Kŭgŭŭ
 - L. ivavKòY Kŭgkb
 - M. tKvŭix Kŭgkb
 - N. gŭŭŭġi Kŭgkb

2. ũZb-fŭlv mġ Abġvqx ũŭ`x AĀġj ũkŕŕŭŭq fŭlv nġe tKvbŭŭ?
 - K. BŕġiŭR, ũŭ`x I Ab` GKŭŭ AvabK fŭlv
 - L. gvZfŭlv, BŕġiŭR I ũŭ`x
 - M. gvZfŭlv, ũŭ`x I GKŭŭ `ŭŕŕŭ fŭv Zxq fŭlv
 - N. gvZfŭlv, BŕġiŭR I GKŭŭ `ŭŕŕŭ fŭv Zxq fŭlv

3. tKvb tkŭx chŕŕŭkŕŕŭtK ũbgæŭva`ŭgK `ġi i ũkŕŕŭ eġj aiv nq?
 - K. 8g tkŭxi ce`chŕŕ
 - L. 8g tkŭx chŕŕ
 - M. 10g tkŭxi ce`chŕŕ
 - N. 10g tkŭx chŕŕ

4. Dbŕŕ ũe`ġj q `ŭcb Kiv nq tKvbŭŭ KZR?
 - K. Bŭ`iv Mvŭx b`vkbyj I ġcb BDŭbFŭmŭŭ
 - L. tmŭŭġj tevW`Ae tmġKŭŭix GWKkb
 - M. ivR` Kŭvi Mŭi ũkŕŕŭ tevW`
 - N. Dġġi tKvbŭŭB bq

5. tKvbŭŭ D`P ũkŕŕŭi `ŭq-`ŭŭZjenb Kġi?
 - K. ivR` mi Kvi
 - L. tK`ġq mi Kvi
 - M. ũekŕe`ġj q
 - N. Dġġi me,ġj v

Av) iPbrgj-K cka

1. fviZi RvZxq ოქვიბოვ, ოქვი j ოქ I DfI k'vevj Dvj L Kiab|
2. fviZi ოქვი KvjtgvmZ ifc eYv Kiab|
3. fviZi ოქვი cka mb I e'e'vcbvi tოქt ოქ ოქ miKvi, ivR' miKvi I ოქ ოქ KZოქ ოქ fvgKv eYv Kiab|



მ/კ DĒi

A) 1| M, 2| K, 3| N, 4| L, 5| N|

fvgKv

`mY Gkxq t`k_wj i gta" kij sKvi ukqvi tqtI mtePP mvdj" ARB KiZ mYlg
 ntqtQ| 1948 mvtj `vaxZv jvtfi ci kij sKvq GKwU bZb MYZmSK I cMwZkxj
 mgvR MVtbi Rb" ubiqli Zv` hKiY, ukqvK meRbxKiY I RbMtYi Rb" ukqvi
 mgmthM mwKiYtK cavb j qI" wtmte wPyZ Kiv nq| cw t_K tPSi eQi eqmx
 tQtj tqt` i Rb" ukqv eva`Zvgj-K Kiv nq Ges ukUvi MvtU` li t_K wekpe`vj q
 `li chSi ukqvK A%ZwbK Kiv nq| eZvub kij sKvi mvqli Zvi nvi cQ 90 kZvsk
 Ges GZ` vAj kij sKvB meQg meRbx cU_wK ukqvi j ql`gvIv ARB KiZ mYlg
 ntqtQ| ukqvi meQi kij sKvi YMZ I cw gvYMZ mvdj" Dbqbkxj t`k_wj i Rb"
 ukqvyq| eZvub BDwbU kij sKvi ukqv e'e-vi wtkl KtqKuW w`K I `wktöi Dci
 Avtj vKvZ Kivi j qtI" wZwU cv Dc`vcb Kiv ntqtQ|

- cv - 1 kij sKvi eZvub ukqv e'e-vi
 cUfvg Ges ukqvi j ql I DtiK"
 cv - 2 kij sKvi ukqv Kivtgv
 cv - 3 ukqv ckvmb I e'e-vcv

cW 1

kij sKvi eZ@vb ukQlv e`e`vi cUfug Ges ukQvi j Q` I Df`ik`

Df`ik`

GB cW tkfI Avcib —

- ◆ kij sKvi eZ@vb ukQlv e`e`vi cUfug e`vL`v Ki tZ cvi t`eb;
- ◆ ukQlv t`f`i kij sKvi eZ@vb iv`o`iq bniZ Df`i L Ki tZ cvi t`eb Ges
- ◆ kij sKvi ukQvi mvavi Y j Q` I Df`ik` eY`v Ki tZ cvi t`eb/

tlvok kZv`ax tZ cU`ogv kv`i AvMgtbi ce`ch`Sf kij sKvi ukQlv uQj te`x `k`fbi Dci cU`v`o`Z Ges ukQlv e`e`v uQj te`x gv`i tKv`K| 1505 mvtj cZ`Riv me`g kij sKvq AvMgb Kti Ges kij sKvi ukQlv e`e`vq cwieZ`fbi mPbv Kti| cZ`Riv Rbmvari Y tK tivgvb K`v`uj K atg`ag`Smi Z Kivi j t`f`i `x`vcb iia` Kti| 1658 mvtj cZ`R kvt`bi tkfI I j`v`R`i AvMgb NtU| Zviv ukQlv e`e`vq tKv`bifc cwieZ` bv Gt`b cZ`R`i Abv`i Y Ki tZ `v`K| 1796 mvtj kij sKvi ubq`Sj Bst`i R`i nvtZ Avt`m| Zviv ubg`e`f`i `Q Rbkv`i `Zvi i j t`f`i Bst`i R gva`tgi `x` cwi Pj bv iia` Kti| dj k`Z`Z 1869 mvtj kij sKvq mvcvU`gU Ae cvev`j K BYU`Kkb MvZ nq Ges axti axti ukQlv e`e`v Mto I v`Z `v`K|

1948 mvtj `v`ax Zv j t`f`i ci bZ`b Ges cwi eW`Z mgvR Mv`bi j t`f`i ukQlv e`e`v cM`Pb iia` Kiv nq| ukQlv K A`e`ZubK Kiv nq Ges gvZ`v`v`K ukQvi gva`g m`t`te Pj y`Kiv nq| Huzn`MZ f`te c`Pj Z mvavi Y avivi ukQvi cvkvc`mk ve`Avb I ch`y`MZ ukQvi Dci `ia`Z; Avt`ivc Kiv nq| Gi dtj ukQlv t`f`i, we`kl Kti cj` A`A`j i ukQlv t`f`i e`vcK cwieZ` mvaZ nq| ukQvi j Q` Ges ukQlv c`k`vb I e`e`vcbvi t`f`i `ia`Z c`c`wieZ`fbi mPbv nq|

iv`o`iq bniZ

mKj bvl`mi KtK ukQlv cU`v`bi `v`q`Zi cvj`t`b iv`o` A`x`Kvive`x| uK`Uvi Mv`t`U` t`K wekte`ij q ch`Sf mKj `f`i ukQlv A`e`ZubK Ges 14 eQi eqm ch`Sf ukQlv eva`Zigj`K| ukQvi hveZiq e`q mi Kv`ti i tK`x`q Znvej t`K ubef`n Kiv nq| temki fivM `x`B mi Kvi KZR`ubq`S`Z| Zte temi Kvix `x` cwi Pj bvi t`f`i mi Kvi Avc`E D`vcb bv Ktj I tKv`bifc Av`R mniqZv cU`v`b Kti bv| temi Kvix `x` e`ZubK I A`e`ZubK `B a`t`bi ntq `v`K| cU`t`gv`U c`v`bZ Qv`I teZ`t`bi Dci vbf`P Kti Pj Ges tkfI v`U Av`f`veK I c`P`cv`K i fiv`Kv`L`x`i `v`bi Dci vbf`P Kti Pj | iv`o` `x`N`f`bi Huzn`evnx t`k`xq ukQlv cU`Z`v`b Pirivena `tj`v`K Av`R mniqZv cU`v`b Kti| Gme cU`Z`v`b ag`lq Pirivena tKv`W Ab`v`q`x cwi P`v`j Z I ubq`S`Z nq| te`x atg`P msN`m`v`m`f`i c`k`Q`Yi Rb` cU`v`o`Z ntj I Gme cU`Z`v`b eZ@v`b c`j`ad ukQlv `f`i Ktq`Kv`U we`kl t`f`i ukQlv cU`v`b Kiv nq|



ciVvEi gj`iqb- 1

A) eü ubePbx cġæ

mivK DĖi ubt`Rgj-K AŋiUġK eĖmqZ Kiab | (D`vniY: Avcbvi ubePZ DĖiU K ntj GġK K eĖmqZ Kiab)

1. kġj skvq KZ eQi eqm chšukŋv eva`Zvgj-K?
K. 11
L. 14
M. 15
N. 16
2. `řaxbZv jvtfi ci kġj skvi ukŋv e`e`vq tKvb aitbi cwieZġ mvab Kiv nq?
K. gvZfv.vġK ukŋvi gva`g intmte Pvj ŋiY
L. veÁvb I chŋpMZ ukŋvi Dci , iaz;AvtivcKiY
M. ukŋvġK A%ZvbKxKiY
N. Dcġi i me,uj
3. Pirivena Kx?
K. mi Kvi ubqšZ tešx ukŋv cġZôvb
L. cġZ ukŋv ġ` i mvari Y ukŋv cġZôvb
M. tešx mbwnt` i ukŋv cġZôvb
N. tešx agġw` i
4. tKvbU kġj skvi ukŋvi Ab`Zg cġvb j`ŋ`?
K. Drcv`bkxj , eġġj-K Ges Kvi Mui `bcY` I `ŋZv eġx Kiv
L. veÁvb, chŋp I D`vebvġj-K tŋġġ` ŋZv eġx Kiv
M. D`P ukŋvi tŋġġ mKj bviMvi tKi mgvb mŋhvM mġo Kiv
N. ukŋvġ` i gta` hġMvcthvMx Ávb, `ŋZv I `řofwzi veKvk mvab Kiv

Av) msuŋB DĖi cġæ

1. ukŋvġġġġ kġj skvi cġvb mvdj` Kx?
2. `řaxbZvi ci kġj skvi ukŋv e`e`vq Kx Kx cwieZġbi mPbv nq?
3. kġj skvi ukŋv e`e`vi cUfug Dġġ Kiab |
4. Pirivena ej tZ Kx tevSvq?
5. ukŋvġġġġ kġj skvi ivóřq bmvZ Dġġ Kiab |



mivK DĖi

A) 1| L, 2| N, 3| M, 4| K|

cW 2

kŕj sKvi ũkŕŕv KvVtŕgv

Dŕi k

GB cW tktl Avcb —

- ♦ kŕj sKvi ũkŕŕv KvVtŕgvi ŕi ,tj v Dtj ũ KiŕZ cvi ŕeb;
- ♦ cŕZũW ũkŕŕv ŕi i tgqvr Ges `enkó" Dtj ũ KiŕZ cvi ŕeb Ges
- ♦ ũkŕŕvi KvVtŕgvMZ web`vtmi GKũW ũPĀ Askb KiŕZ cvi ŕeb/

kŕj sKvq ũKŪvi MŕtUŪ t_ŕK ũekŕe`vj q chŕŕŕ ũkŕŕv A%ZũbK | 1960 mŕtj i ci t_ŕK kŕj sKvi ඡ ,tj v mi Kvi KZŔ. ũbqŕŕŕZ ntq AvmtQ Ges tenki fũM ŕŕj B tKv-GWŕKkb Pij yi tŕtQ | 1978 mŕtj i ũkŕŕv ms`vti i dtj mŕvai Y ũkŕŕvi mgqKvj 13 eQi Kiv nq Ges cŕŕŕgK ŕi ũkŕŕv_ŕi fŕZP eqm 5 eQi ũi Kiv nq |

1985 mŕtj ũkŕŕv KvVtŕgvtK ũbgiŕc ŕi fũM Kiv nq:

- cŕŕŕgK ŕi (1g – 6ŕ tkYx)
- Rŕbqi ev ũbgiŕgva`ŕgK ŕi (7g – 8g tkYx)
- D`P gva`ŕgK ŕi (9g – 11k tkYx)
- gva`ŕgK DEi ev ũcŪBDũb fũmŪ ŕi (11 – 13 tkYx)

cŕŕg ntZ Iŕ tkYx chŕŕŕ ũkŕŕv_ŕi v cŕŕŕgK ũkŕŕv MŕhY Kŕi | ũkŕŕv_ŕi v cŕŕŕgK ŕi i ci `ŕeQi (mBq I Aŕg tkYx) ũbgiŕ gva`ŕgK ŕŕj Aa`qb Kŕi | GB ũkŕŕv eva`Zŕgj-K | ඡ cŕi Z`vtMi eqm 14 eQi ũbaŕŕY Kiv ntŕtQ | beg ntZ GKv`k A_ŕ ũZb eQi Aa`qtŕbi tktl ũkŕŕv_ŕi v Sri Lankan GCE O Level emt cixŕŕvq AskMŕhY Kŕi | GB cixŕŕvq 8ũW ũelŕqi gŕa` 6ũW ũelŕq KZKŕh`nl qv Aveŕk`K | QqũW ũelŕqi gŕa` MŕYZ Ges ũmbnŕj v ev Zŕgŕj fŕl v iŕtŕtQ |

gva`ŕgK DEi/ũcŪBDũb fũmŪ ŕi

gva`ŕgK DEi tKŕmŪ `ŕeQtii (ŕv`k I ŕŕtŕv`k tkYx) | `ŕeQtii G tKŕm`mgvcbŕŕŕŕ Sri Lankan GCE A Level cixŕŕvq AskMŕhY Kiv hvq |

1986 mŕtj t_ŕK National Certificate in English (NCE) brŕg BŕŕiŕR fŕlvi Dci bZŕ RŕZŕq cixŕŕv cŕZŒ Kiv nq |

D`P ũkŕŕv

kŕj sKvi QqũW ŕŕŕŕŕŕŕŕŕŕ ũekŕe`vj q iŕtŕtQ | ũekŕe`vj q ,tj vi GKvŕWŕgK, cŕkŕmũbK I Avŕ_Ŕ ũelŕqi mgŕŕŕZ bŕŕZ cŕŕq b I ũi K ũbŕ`Ŕbvi `ŕŕqZ; UGC-Gi

Dci b`v`l| GCE A Level cix`lvq KZKvh`nl qvi ci D`P uk`lvi Rb` GB mKj eekje`ij tq fuz`nl qv hvq|

e`v`Pj i tRbv`ij w`w`w` Rb` wZb eQti wZbU w`l q Aa`qb Ki`Z nq| mdj Zvi mv`_`jeQti i tKvm`k`l gv`vm`w`w`w`j vf Kiv hvq|

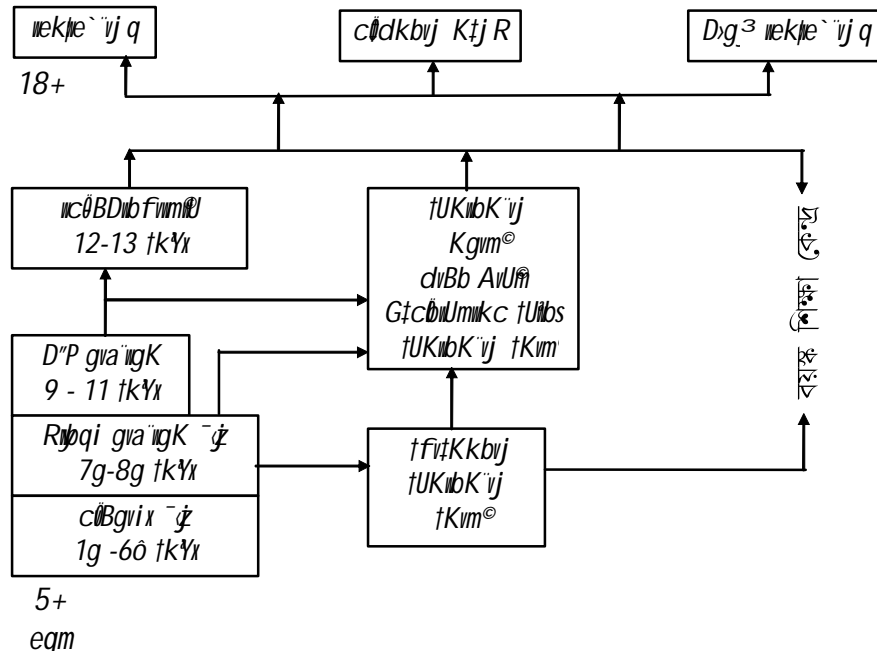
w`lUk g`Wj Aby`ti 1980 mv`j k`j sKvi Dvg` eekje`ij q `rcb Kiv nq|

tUK`bK`ij GU` tFv`Kkbyj uk`lv

AvUwU cij tUK`bK`ij Bb`v`w`DU Ges tP`S`i`w` R`b`qi tUK`bK`ij B`Y`w`U`DU B`w`A`b`q`w`i s, Kgvm`Ges w`R`b`m l · vdUm GB wZb ai`bi tKvm`c`w`i P`ij bv Kti |

m`w`U`d`t`KU tKvm`t`j v`jeQti i Ges b`v`kbyj w`l`c`vgv tKvm`t`j v`B` t`k wZb eQti i |

w`P` 1: k`j sKvi uk`lvi Kw`t`g`M`Z w`b`w`m



Drm: UNESCO



ᄡᄢVvᄡi gjᄡᄢb - 2

A) eᄢ ᄢbeᄡᄢbx ᄡᄡᄡe

mᄡᄡK Dᄡi ᄢᄡᄡ ᄡᄡᄡ-ᄡ ᄡᄡᄡi ᄡᄡᄡK eᄡᄡᄡᄡZ Kiab | (DᄡᄡniY: Aᄡᄡbvi ᄢbeᄡᄡPZ Dᄡi ᄡᄡ K ᄡᄡᄡ GᄡK (K) eᄡᄡᄡᄡZ Kiab)

1. ᄡᄡᄡ sᄡvi ᄡᄡᄡᄡ Y ᄡᄡᄡᄡᄡ eᄡᄡᄡ KZ eQi?
 - K. 11
 - L. 13
 - M. 14
 - N. 18

2. ᄡᄡᄡ sᄡᄡᄡ GCE O Level ᄡi ᄡᄡᄡᄡ KLb AᄡᄡᄡZ ᄡᄡ?
 - K. Aᄡᄡ ᄡᄡᄡᄡ ᄡᄡᄡ
 - L. ᄡᄡᄡ ᄡᄡᄡᄡ ᄡᄡᄡ
 - M. GKᄡᄡᄡ ᄡᄡᄡᄡ ᄡᄡᄡ
 - N. ᄡᄡᄡᄡᄡ ᄡᄡᄡᄡ ᄡᄡᄡ

3. ᄡᄡᄡ sᄡvi eᄡᄡᄡᄡᄡ i ᄡᄡᄡᄡᄡᄡ ᄡᄡᄡᄡᄡᄡᄡ KZ eQi i?
 - K. ᄡᄡ
 - L. ᄡᄡZb
 - M. Pvi
 - N. ᄡᄡᄡ

4. ᄡᄡᄡ sᄡvi ᄡᄡᄡᄡᄡ ᄡᄡᄡᄡᄡ ᄡᄡᄡᄡᄡ eᄡᄡᄡ ᄡᄡᄡᄡ ᄡᄡᄡᄡ ᄡᄡᄡᄡ?
 - K. 8g
 - L. 7g
 - M. 6ᄡ
 - N. 5g

Aᄡ) mᄡᄡᄡᄡ Dᄡi ᄡᄡᄡe

1. ᄡᄡᄡᄡᄡ ᄡᄡᄡᄡᄡ ᄡᄡᄡᄡᄡ ᄡᄡᄡᄡᄡ ᄡᄡᄡᄡᄡ ᄡᄡᄡᄡᄡ |
2. ᄡᄡᄡᄡᄡᄡᄡ GWᄡKkb ᄡᄡᄡᄡᄡ ᄡᄡᄡᄡᄡ ᄡᄡᄡᄡᄡ?



mᄡᄡK Dᄡi

A) 1 | L, 2 | M, 3 | L, 4 | M |

cv 3

uk`v c`kumb I e`e`vcbv

D`ik`

GB cv tk`l Avcb —

- ◆ klj skvi uk`vi c`kumbK Kvvtgv e`vL`v Ki`Z cvi`teb;
- ◆ uk`v gš`yij q Ges w`RI bij uk`v w`fv`Mi `vqZ; I KZ` D`j L Ki`Z cvi`teb Ges
- ◆ uk`v c`kumb I e`e`vcbv Kvvtgv w`p`T Dc`vcb Ki`Z cvi`teb|

tK``iq c`kumb I e`e`vcbv

klj skvi ms`eavb Ablyvqx c`RvZt`šj me`gq `vlgZvi Aw`Kvix tc`m`WbU| gš`yij tqi w`bqš`Y Ges `vqZ; i`q`Qb gš` Ges Zvi Aax`b i`q`Qb w`fv`M| gš`MY Zv`i w`b`f`n `vlgZv t`c`q _v`Kb tc`m`Wb`Ui KvQ t`_t`K| uk`v gš`yij tqi w`b`f`n c`avb n`"Qb uk`v gš`yij| Zv`K mnvqZv`v`bi Rb` i`q`Qb Dc`-gš` Ges c`R± gš`| uk`v gš`yij Aax`b uk`v m`Pe uk`v b`v`Zi mdj ev`-`vq`b`i `vqZ; cvj b K`i`b| w`Zw`b gš`yij tqi w`fv`M Ges Ab`v`" c`Z`ôvb, hv uk`v gš`yij tqi Aax`b, Zvi m`w`R KvR K`tg` w`bqš`Y Ges Z`vi uk`v K`i` _v`Kb| mi Kv`i`i uk`v b`v`Z ev`-`vq`b Aw`dm Kg`R`Z`P I Kg`P`v`i`MY m`Pe`K mnvqZv w`t`q _v`Kb| uk`v gš`yij tq i`q`Q P`v`Rb Av`Zw`i`³ m`Pe| Zv`v c`Z`i`K w`R w`R w`bqš`y`v`x`b gv`V ch`q`i Kg`R`Z`P Kg`P`v`i`x`i`i w`bqš`Y K`i` _v`Kb| mi Kv`i`i b`v`Z m`g`z`ev`-`vq`b`i Rb` t` k`u`U`K P`v`i`U G`j`v`K`v`q` f`v`M K`v` n`q`q`Q| c`Z`w`U G`j`v`K`v`i` `vqZ; w`b`q`v`R`Z G`K`R`b Av`Zw`i`³ m`Pe Zv`i ÷vd w`bqš`Y Ges Zv`i Kg` G`j`v`K`v`i` c`w`i`k`b` K`i` _v`Kb| Av`Zw`i`³ m`Pe`K mnvqZv `v`bi Rb` i`q`Q t`W`c`w`U g`v`c`w`i`P`v`j` K (uk`v), c`w`i`P`v`j` K (uk`v), c`avb w`m`v`e` i`q`K, W`v`B`i`±`i` Ae`-`q` I`q`v`K`m, w`m`b`q`i` m`n`K`v`i`x` m`Pe, m`n`K`v`i`x` m`Pe, c`avb uk`v Kg`R`Z`P Ges w`m`v`e` i`q`K| G`Q`v`ov` Ab` `w`b` w`fv`M, c`i`x`v`v` w`fv`M Ges uk`v c`K`v`k`b`v` w`fv`M`i` `vqZ; i`q`Q`b `B`R`b` K`v`g`k`b`v`i`|

uk`v gš`yij tqi `vqZ; i` g`a`" i`q`Q w`v`i` s`-`Zw`i`, Av`m`e`v`e`c`I, uk`v Dc`K`i`Y, cv`w`e`B Ges uk`v`_`i` Rb` g`a`v`y` L`v`e`r`i`i` e`e`-`v` K`i`v| uk`v gš`yij tqi m`Pe c`R± w`g`v`b` ÷v`i`i` Aax`b `q` m`v`u`m`K`Z` G` m`g`-`I`K`v`R`i` `vqZ; cvj b K`i` _v`Kb|

G`Q`v`ov` c`w`e`j`K` m`w`f`m` K`v`g`k`b`i` Aax`b G`W`Z`K`k`b` m`w`f`m` K`v`g`v`U` b`v`tg` G`K`w`U` `v`ax`b` m`v`-`v` uk`v`K` w`b`q`v`M, c`f`-`v`b`w`Z, c`y`t` w`b`q`v`M Ges uk`v`K, Kg`R`Z`P I Kg`P`v`i`x`i`i` k`;`L`j`v` I` m`j`h`v`M` m`g`e`v`i` e`e`-`v` K`i` _v`Kb|

Av`Â`ij`K` c`kumb I e`e`vcbv

uk`v`i` K`v`h`q`g` ev`-`vq`b`i` c`K`Z`-`vqZ; w`e`v`f`b`v`i`w`RI` bij uk`v w`fv`M`i`| t`_t`k`i` 24w`U` c`k`v`m`b`K` w`v`v`÷`±`-G` 24w`U` w`v`c`v`U`g`v`U` i`q`q`Q| c`Z`w`U` w`i`w`RI` bij w`v`c`v`U`g`v`U` G`K`R`b` w`i`w`RI` bij W`v`B`i`±`i` Ae` G`W`Z`K`k`b` Q`v`i`v` c`w`i`P`v`j` Z`n`q`| W`v`B`i`±`i`K` mnvqZv w`t`q _v`Kb` c`avb uk`v Kg`R`Z`P, uk`v Kg`R`Z`P, G`K`R`b` w`m`v`e` i`q`K, `q` m`p`v`u`š`I` K`v`R`i` Rb`

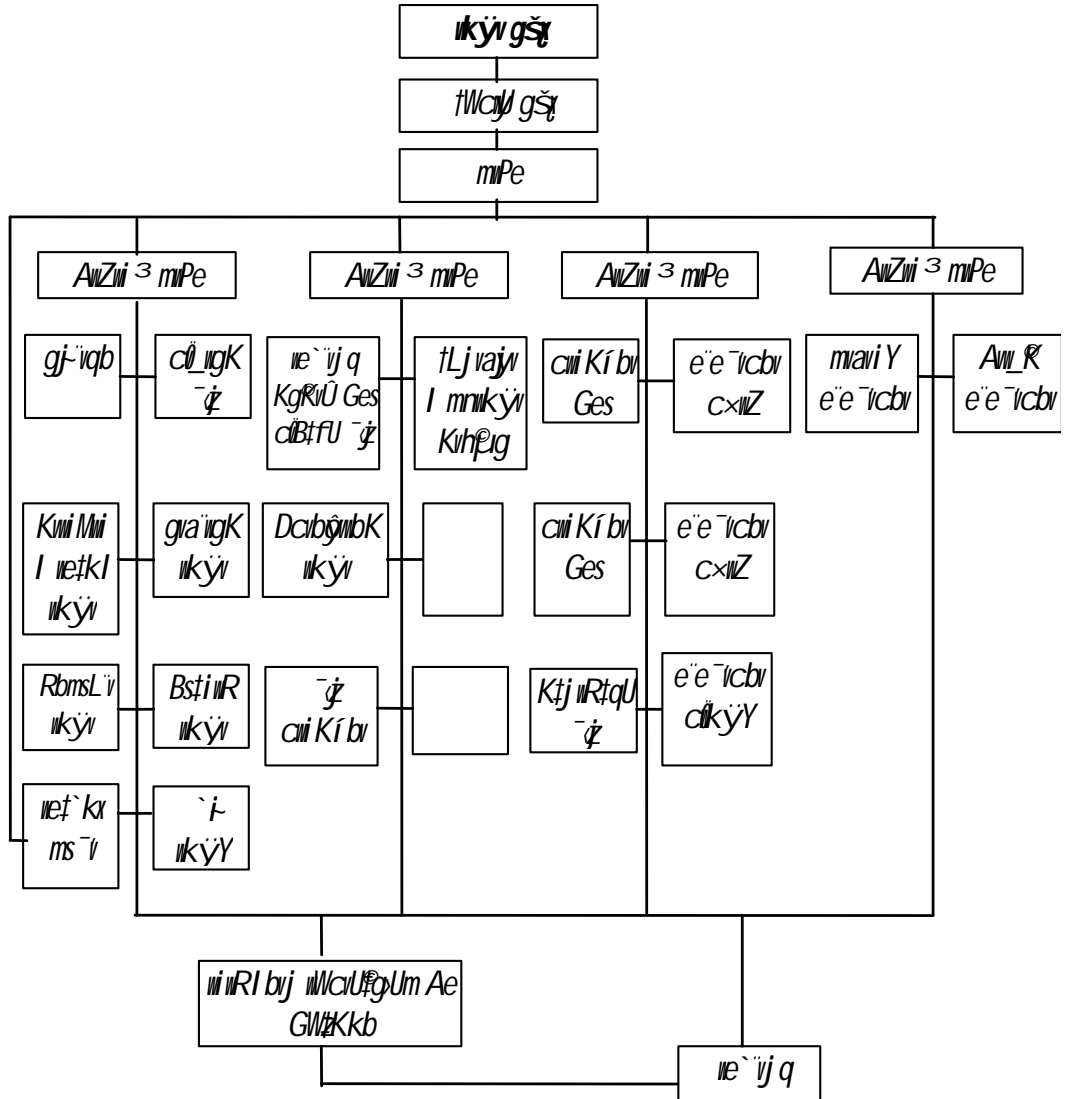
ḡ Ae GWKkb

GKRb ubelx cii Pij K Ges GKRb mzi fivBRvi whub mivK⁰ GWKkb Awdmvi bvtg
ciiiPZ| Zj bvgj-Kfvte AfbK eo ckvmbK Ww÷± thLvfb ḡj i msL'v Ges ukḡv_ḡ
msL'v AfbK tenk, tm mg'í Gj vKvi cävb GWKkb AwdmviḡK GKiu Awdm Ges
GKiu mve Awdm mniqZv w'ḡq _vḡK|

wiurI bij GWKkb Awdtmi KivRḡK cävZ 5iu fivM fivM Kiv nḡqḡQ| G,tjv nj -
ukḡv ckvmb, ukḡv Dbqb, mavi Y e'e'vcbv, A_ḡb Ges ḡj cävZöv ubgḡYi KivR|
wiurI bij WvBḡi±i Ae GWKkb (RDE) ukḡv Dbqb wfvḡMi wfvMiq cävḡbi `vqZj
cij b Kḡi _vḡKb Ges Ab" wfvM,ij i mḡze'e'vcbvi e'e'v Kḡi _vḡKb| th mKj
wiurI b-G mve Awdm iḡqḡQ tm mKj wiurI ḡbI mve Awdm Gj vKvmm mḡze'e'vcbvi
`vqZj RDE enb Kḡi _vḡK| mve Awdtmi `vqZj _vḡKb cävb ukḡv Awdmvi Ges
Zvi Aaxḡb Ab'vb" mniqZvKvix ÷vd| mve Awdtmi KivRKg⁰ Gj vKvi mavi Y
e'e'vcbv, A_ḡb Ges ḡj i KgRvḡÜi ḡḡa" mniqZ _vḡK|

cävZü Ww÷± Avevi KḡqKiu mivKḡU wfv³| Mḡo cävZü mivKḡU 30 t_ḡK 40iu ḡj
AvḡQ| cävZü mivKḡ-Gi `vqZj GK GKRb ukḡv KgRZ⁰ iḡqḡQb| Zvi cävb KivR
mivKḡU i mg'í ḡj,tjv mzi fivBR Kiv| wZub ḡj Ges wiurI bij WvcvUḡyU Ae
GWKkb-Gi ḡḡa" thvMḡvM iḡv Kḡi _vḡKb| Zivovov iḡqḡQ wḡkI mivKḡ GWKkb
Awdmvi whub wvfbwv lq thgb wvÁvb, Kul, emYR", Min⁰ wvÁvb, tḡSḡ wvÁvb, Kj v,
j ij Z Kj v wv lqv i mzi wfkḡbi `vqZj; wḡqḡvRZ|

WPI 2: ksj sKvi ikqiv e`icbvi Kwiugv





ცვლელი გვინებ - 3

A) ეუ ბეზბხ ცქაე

მუშკ დეი ბტ რგკ-კ აქიუტკ ეწვიკი კიბ | (D`vniY: Avcbvi ბეზპზ დეიუ კ
ნტჯ გტკ (K) ეწვიკი კიბ)

1. კქ სკვი უკქვი გსქვი ტკი ბეზბხ ცაიბ ტკ?

- K. უკქვი გსქ
- L. Dc-გსქ
- M. ცქრ± გსქ
- N. უკქვი მიპე

2. ანაქი კ გქვი `ვიკი ტკ ცვი ბ კტიბ?

- K. ცვი პვი კ (უკქვი)
- L. ტვიკი გრვი პვი კ (უკქვი)
- M. ანაქი 3 მიპე
- N. Dcgსქ

3. უკქვი ბტკტი მი ე`ე`-v ტკ კტიბ?

- K. მი რი ბი უკქვი ეწვი
- L. ცქრმბკ ვვი÷±
- M. მუკი კვიუ
- N. გვზკკბ მუწვი კვიუ

4. უკქვი ტქტი ტკვიუი ავი ვი ვქვი?

- K. მი რი ბ
- L. ვვი÷±
- M. მუკი
- N. BDიბკბ

Av) მსწვი დეი ცქაე

1. მი კვი ბვი მწვი ეწვი ბეზბხ რბ` კი კი ე`ე`-v მწვი კი ნტკ?

2. უკქვი გსქვი ტკი ცაიბ `ვიკი კი?

3. მი რი ბი გვზკკბ ანტი კვი, ტვი კი? კი ეწვი მუბაკი ნკ?

4. მუკი უკქვი კგქკი კი კვირ კტი _ვიკი?



მუშკ დეი

A) 1 | K, 2 | M, 3 | N, 4 | M |



Povšl gj`iqb

A) eü ubePbx ckae

mWK DEi ubt` Rgj-K AqiuWtK eFvqZ Kiab | (D`vniY: Avcbvi ubePZ DEiW K ntj GtK K) eFvqZ Kiab)

1. Kij sKv ukqvi tKvb tqt mekaK AMWZ ARB Ktiq?
 - K. ukqv e`e`vcbv
 - L. gva`igK ukqv
 - M. muqizv ARB
 - N. D`P ukqv
2. Kij sKvi ukqv tKvb `li chS/A%eZubK?
 - K. cü`igK
 - L. ubgagva`igK
 - M. D`P gva`igK
 - N. wekte`ij q
3. GCE A level cixqv KLB AbyoZ nq?
 - K. Ttqv`k tkYxi tktl
 - L. GKv`k tkYxi tktl
 - M. `kg tkYxi tktl
 - N. Aog tkYxi tktl
4. Kij sKvq ukqvbmZi mdj ev`evqtbi `vqZi Kvi Dci AwZ?
 - K. ukqvsg
 - L. ukqv Dcgsg
 - M. ukqv mPe
 - N. wvRI bij WvBti±i Ae GWZKkb
5. tKvbuW GWZKkb mwfñ Kugui KiR bq?
 - K. ukqK, KgRZPI KgPvix`i k;Ljv l mthvM mpeavi e`e`v Kiv
 - L. cv`eB cüqb l ukqvcKiY `Zwi KiY
 - M. ukqKt`i ct`vbWZ cüvb
 - N. ukqK ubtqvM

Av) iPbvj-K ckae

1. Kij sKvi ukqvttq i vóiq bWZ Ges ukqv j qv` l Dtik` eYv Kiab |
2. Kij sKvi ukqv KiVvfgvMZ web`vm uPImn eYv Kiab |
3. ukqv gšYij tqi MVb KvVvfgv Ges Gi `vqZi l KZ@` Dtl Kiab |
4. ukqv ckvmb l e`e`vcbvi tqt wvRI b, wv÷± Ges mWKui fvgKv Dtl Kiab |



mWK DEi

A) 1 | M, 2 | N, 3 | K, 4 | M, 5 | L |

Bsj`vU`i` ik`q`v`e`e`v`

figKv

c0q`B` kZvax` ati` eUk` mvgR`"` miv`v` cU`_`exi` weifbæAAj` I` t`kR`jo` we`Z`_`uQj` | GB` wekvj` mvgR`"` kvmt`bi` Rb`"` weU`t`bi` c0qv`Rb` n`q` c`to`uQj` c0kv`m`bK` tgav` , Kkj`x` Avb` I` DËg` , Yvej`x`m`u`b`æ`ecj` mSL`K` e`w`3`i` | Gme` e`w`3`t`i` w`tq`B` weU`b` m`k`xj` tmeK` (civil service) b`r`tg` weiv`U` GK` c0kv`mb` K`"w`vi` Mto` t`Z`v`j` thL`v`b` cveij` K`"d`j` ik`q`v`c0B` AwfR`v`Z` N`ii` m`st`b`i`v`B` thv`M`"v`b`i` teuk` m`j`h`v`M` t`c`Z` | u0Z`xq` g`n`v`h`j`x` weU`b` Rq`x` n`t`j` I` A`_`%`w`ZK` I` k`w`3`g`E`vi` w`K` t`_`t`K` wech`o`l` I` a`y`sm`c0B` nq` | mvgR`"i` Dcub`te`k` , t`j`v`t`Z` ivR`%`w`ZK` m`t`P`Z`b`Z`v` e`w`x`i` m`v`t`_` m`v`t`_`"v`ax`b`Z`v`i` `v`exl` `g`f` n`q` DV`t`Z`_`v`t`K` | d`t`j` G`t`K` G`t`K` e`t`U`b` Gme` Dcub`te`t`ki` "v`ax`b`Z`v` t`g`t`b` w`b`t`Z` eva`" nq` eUk` mvgR`"I` m`g`k` t`f`t`1/2` c`to` | wek`!` ivR`b`w`Z`i` t`q`t`I` e`t`U`b` t`b`Z`Z`i` n`v`iv`q` | w`K`S` A`"g`" g`t`b`v`f`v`e` I` AwfR`v`Z`"eva` eUk`t`i` t`b`Z`t`Z`i` "u`p`v` Rv`M`ia`K` iv`t`L` | Ggb` c`v`i`w`"Z`t`Z`B` Zr`K`v`j`x`b` eUk` c0v`b`g`S`x` w`M`m`t`i`B`j`x` t`N`v`l`Y`v` K`t`i`b` 00`t`"t`ki` Rb`m`v`a`i`t`Y`i` ik`q`v`i` Dc`i` t`"t`ki` f`w`el`"Z` w`b`f`P` K`t`i`00` | GQ`v`ov` ik`q`v`i` c`j`v`b`g`f`Y` w`el`q`K` B`t`"h`v`t`i` (1944 Lp`v`t`ai` ik`q`v` Av`B`b` c0v`q`t`b`i` c`t`e`P` Av`i`l` t`N`v`l`Y`v` K`iv` nq` , 00`m`t`e`f`E`g` Z`ia`y` m`g`v`R`B` R`w`Z`i` t`k`0`Z`g` m`u`"00` | w`K` G` m`g`q` t`_`t`K`B` weU`b` ik`t`i`v`c`v`"b` , A`_`%`w`ZK` w`"Z`v`e`v` I` c0h`y`P` weK`v`t`ki` c`t`_`"a`Z` G`w`M`t`q` t`h`t`Z` m`t`P`o` nq` | n`v`i`v`t`b`v` t`b`Z`Z`i` I` H`w`Z`n`" c`j`v`i`æ`v`t`i`i` c`v`k`v`c`v`k` m`g`x` I` ik`t`i`v`b`Z` t`"k` w`m`v`t`e` c0Z`w`0`Z` n`l`q`v`i` H`K`w`i`S`K` e`v`m`b`v`B` weM`Z` K`t`q`K` "k`K` ati` weU`t`bi` ik`q`v` t`P`Z`b`v` I` ik`q`v` e`e`"v`i` c0K`w`Z` I` M`w`Z`a`i`v` w`b`a`f`i`t`Y`i` , i`a`Z`c`Y`%`b`q`v`g`K` w`m`v`t`e` c`v`i` M`w`Y`Z` n`q` Av`m`t`Q` |

GB` BD`ib`t`U` w`Z`b`u` c`w` Dc`"v`c`b` K`iv` n`t`q`t`Q` | c`w` , t`j`v`t`Z` Bsj`v`U`i` c0`w`g`K` I` g`v`a`"w`g`K` ik`q`v`i` m`g`w`e`K`v`k` , e`Z`g`v`b` ik`q`v`i` K`v`V`t`g`v` Ges` c0kv`mb` I` e`e`"v`c`b`v` m`u`u`t`K`^o Av`t`j`v`P`b`v` K`iv` n`t`q`t`Q` |

c`v` - 1` c0`w`g`K` I` g`v`a`"w`g`K` ik`q`v`i` m`g`w`e`K`v`k`
 c`v` - 2` ik`q`v`i` e`Z`g`v`b` K`v`V`t`g`v`
 c`v` - 3` ik`q`v`i` c0kv`mb` I` e`e`"v`c`b`v`

cW 1

cŰ_ugK I gva`ugK ukŷŷvi µgmeKivk

Dŷik`

GB cW tkŷI AvciB —

- ◆ Bsj itŰi cŰ_ugK I gva`ugK ukŷŷvi µgmeKivk Dtj - L KiŷZ cviŷeb;
- ◆ gvaugK ukŷŷvi m=úŷK®ewfbaeKugui mi gzwik avivemK fviŷe Dtj - L KiŷZ cviŷeb Ges
- ◆ 1944 mŷbi ukŷŷvi AvBŷbi iæZi e`vL`v KiŷZ cviŷeb|

Aóv`k kZvāx chŷŷl mgvR `elg`B Bsj itŰi ukŷŷvi e`e`itK ubqŷŷy KŷiŷQ| ukŷŷvi uQj
 `ŷ ŷŷi wef³| AwfRvZ mgvŷRi Rb` uQj A· tdiW`I K`igmeR mekte`ij q Ges
 j`vub MŷK fvlv I mvinŷZ`i cŷvevaxb ŰŰMŷgvi ŷŷŷ| weEevbŷ`i itŷb A`ev e`w³
 gvij Kivbq GBme ŷŷ Mŷo Iŷv| Kvj µŷg Gŷ`i gŷa`B tKivb tKivb D`P gvŷbi
 AvemK me`ij q ŰŰcvevŷ K ŷŷŷ inŷmŷe cwi wPZ nq Ges m=ú`k vij ŷŷ`i cŰZŷv nŷq
 cŷo| `wi`ŷ`i Rb` uQj ŰŷWg& ŷŷŷ, ŰKgb tW ŷŷŷ BZ`wi e`w³MZ e`emvŷgK
 cŰZŷv, ukŷŷvi-ukŷŷvi cŰZŷv Ges Piv®cwi Pviŷ Z A%ZivK P`vii uU me`ij q|
 mviŷŷŷi ukŷŷvi uQj ubgæchŷŷŷi Gij tgvŷvix ŷŷŷ i gŷa` mŷgve×| KvŷRB mviŷŷ`ŷk
 bvbv aiŷbi thme ukŷŷvi e`e`v cŷvŷ Z uQj tm,ŷŷvi gŷa` tKivb mgŷŷq ev mvgŷm` uQj
 bv| ukŷŷviŷŷŷ iŷŷŷ tKivb mŷgŷŷŷ fvgKv uQj bv Ges tKivb RvZix ukŷŷvi e`e`v I Mŷo
 Iŷvub|

ukŷŷviŷŷŷ iŷŷŷ c`vcŷ NŷU 1832 mŷbi ukŷŷvi Rb` eml R ivŷŷq eivl cŰZŷbi ga`
 w`ŷq| Gici 1839 mŷbi cŰZŷv nq cvj ŷŷŷ gŷbvbvZ ukŷŷvi mŷµvŷŷ Kugui Ges
 1870 mŷbi cvj ŷŷŷU civk nq cŰ_ugK ukŷŷvi AvBb| GB AvBŷbi dtj ukŷŷ`cŰ_ugK
 ukŷŷvi mKj `vqZB miKvŷi nŷŷZ Gŷvbn, Piv®Ges Ab`vb` t`Qvŷmex msMVŷbi
 ŷŷ,ŷŷv Zvŷ`i cwi Piv bŷŷZ iBj Ges miKvix mvinv`I tŷŷZ `vKj | ukŷŷ`µgeaŷvb
 cŰqRb tgvŷvbi Rb` ivŷŷq Dt`itM cŰ_ugK ŷŷ cŰZŷvi e`e`v nj | GBRb` mŷŷ
 nj mgMŷ`ke`vcx Űŷŷ tevWŷŷ| 1891 mŷbi cŰ_ugK ukŷŷvi A%ZivK I eva`Zivj-K
 Kiv nj | 1894 mŷbi eŷBm Kugkb iagvŷ cŰ_ugK ukŷŷvi `vqZi ŷŷ tevŷWŷ nŷŷZ
 Ges gva`ugK, Kvii Mvi ukŷŷvi I ukŷŷK ukŷŷŷŷi `vqZi ŷŷEŷvmmZ cŰZŷvbi nŷŷZ
 t`qvi mzwik Kŷi | GB Kugkb RvZix wfvEŷZ ukŷŷvi cŷvmbŷK mŷŷŷZ Kivi Dtŷŷk`
 ukŷŷvŷŷŷi c` Ges gŷŷŷi mŷvqK ŰŰukŷŷvi cwi I Űŷ MVŷbi I mzwik Kŷi |

ukŷŷvŷŷŷi c` mŷŷ Kŷi ukŷŷŷK cŰ`ŷŷŷŷŷ i vRbviZi gŷa` wŷŷq Avmvi weiŷŷ× ZLbI
 iŷŷŷŷŷ AwfŷZ hŷ_ó kv³kij x uQj | ZvB gŷŷŷŷi mŷŷ nj bv| ukŷŷ`ŷŷ tevW`Zŷŷ
 w`ŷq `vbxq ŷŷŷŷŷ cŰZŷvbi ukŷŷvi Kugui LEA (ŷŷvKij GWŷKvbj A`vii uU)-
 Gi nŷŷZ cŰ_ugK, gva`ugK, ubgæKvii Mvi cŷŷŷ. meiKg ukŷŷvi `vqZi t`I qv nj |
 gva`ugK ukŷŷviŷŷŷ miKvix Dt`itMi mPbv nj 1902 mŷbi AvBŷbi ga` w`ŷq| Gi
 dtj gva`weE I ubgæga`weE tkŷŷ DcKZ.nj | 1917 mŷbi Avi GK uU ukŷŷvi AvBŷbi

ֆ Ae GWKKb

(udmvi AvBb) cՕ՛le Kiv nj th, thvM՛ZvmբubemKtj i KvտQB gva՛ւղK ւկղvi Օvi Dbխթ ՎKթe| bvmթիx ւկղvtK DrmւնZ Kiv nթe| bvmթիx cti ւկղvKvj nթe cՕ՛ւղK-gva՛ւղK-KւUbյտqb (continuation), GB յZb Վի GKմԻ MՕ_Z| Gici gva՛ւղK ւկղvtK ivՕիq Avbխտj՛՛ meRbxb Kivi ՝vexi տճղիZ 1926 մտb Օնւ՛վWv KւղւՕՕ մջւււ k Ktj b thb mg՛ւկii ՝Kիկvi RxeտK ւե՛յտգi AՏԲՋ Kiv nq, A_թ cKvivՏի gva՛ւղK ւկղvtK mKtj i KvտQ Dbխթ Kivi cՕ՛le Kiv nq| Avil cixղv-ւbixղvi ci 1938 մտb Օտ՛ւY KւղւՕՕ մջւււ ր KvՒտ՛i cՕ՛YZv I մթեւ Abխոս յZb iKիցi gva՛ւղK ւկղvi e՛e՛vi Kivi cՕ՛le տ՛Լq nq: (K) հւ՛տi ւեցZՕ Ges տեՏւxK ւկղvi cՕ՛YZv AvտQ Zտ՛i Rb՛ ՎKթe ZĖgj-K ւկղւլւս Aej քb Kի Mօցvi ֆ, (L) հւ՛տi Kււի Mui I հւճK ՝ղZvi մթեւ AvտQ Zտ՛i Rb՛ ՎKթe ZիĖj մի½ cՕ՛ղւ Mue՛vi մցՏիտ տUKւbK՛յւ ուBֆ K Ges (M) հւ՛տi e՛erււի K ւկղv MօիYi cՕ՛YZv AvտQ Zտ՛i Rb՛ ՎKթe AտղvKZ. ՝յZւĖK gWթ ուBֆ | cՕ՛ւղK ւկղvi տիտ մuaviY cixղvi djvdj Ges Ab՛տb՛՛ gb՛ւիZK cxւZ Aej քb Kի ՕւՒտ՛i տկYւեւ M Kի յZb aիտi ւե՛յտգi ֆւZՕKiv nթe|

GB ւիտ՛ւտUP Dci ւրՆէ Kի 1941 մտb Օււււյ biDw KւղւՕՕ ւի՛-aviv ւկղւլւս I cixղv e՛e՛vi մքտKՕմջւււ k Kի Ges 1942-44 մտb ՕՕց՛ւKտbqvi KւղւՕՕ ւկղK ւկղիYi ւեՒտ մջւււ k Kի| BիZvտա՛ MYZւճK Avտ՛յտի dtj ՝KււնZ bvbv aիտi ւե՛յտq Ges cւեյ K ՝ջւտյն մքտKՕbZb ւՍՏԻւեւ iia nq| Gme ֆ մքտKՕՍՍZ Օտ՛ւոցs KւղkბՕ (1942-44) Ggb GK e՛e՛vi cՕ՛le Ktj b հւ՛տ Kի ՝KււնZ տ՛իK I Giv մեթաւb RvZիգ ւկղvi e՛e՛vi Ask տ՛Z cտի |

Gme ւիտ՛ւտUP dj kՅZB nj 1944 մտbi ւկղv AvBb հvi մւււտի՛ Bsj ՛տՕ meՕ՛g GKւU մեթաւb RvZիգ ւկղve՛e՛v cՕ՛ւZջ nj |

ւկղv AvBb – 1944

1944 մտj i ւկղv AvBb BւZւտմ evUj vi AvBb etj I cւիւՍZ| GB AvBb Bsj ՛տՕi մւղւMՕ ւկղvi տղի՛ e՛vK Ges մյյցւիւիx cւիւeZթ GտիտQ| G Rb՛ GB AvBտի bi ՝iaտիK Zի aivi Rb՛ gՏե՛ Kiv nq – “The Education Act of 1944 constitutes the most important single progressive step ever taken in Educational history.” GB AvBb ւկղvtղի՛ ւեiuRZ AmքւYջv I մւգuexZv ՝ի Kի th me ms՛ւi գյ-K c՝ից MօիY Kի Zv ոQj ւbցե՛ic:

(K) ւկղւցՏի ՝Bi Վcb

cկւււմK e՛e՛vq GB meՕ՛g Bsj ՛տՕ ւկղւցՏի ՝Bi Վcb Kի տK՝իգ ւbզՏի I ւտի՛ Rbvi e՛e՛v Kiv nq| gՏիK մւււտի՛ Kivi Rb՛ ՝ԅւU Dտ՛օն KւղւU MււZ nq| ւկղv տեՒWթ cւիւetZՕւկղv gՏիյտ գիK mgMՕւկղv e՛e՛v Z՛vi K I ZĖyeտիbi ՝ււզZի տ՛q nq|

(L) `vbŋq v`kŷŷv KZ@tŷŷi `wqŷZŷi m`u`u`vi Y

wekŷe`ij q v`kŷŷvi `wqŷZŷi b`v`l nq University Grants Commission (UGC)-Gi Dci | Avi c`u`wqK, gva`wqK, further education Ges b`v`v ai`t`bi t`U`K`v`K`ij v`kŷŷvi `wqŷZŷi t`l qv nq LEA, t`j v`t`K | G Qvov b`v`m`ŷ`x `ŷ, t`u`k`v`j `ŷ, h`ŷ`K`j `v`Y e`e`v` c`f`w`Z`i c`v`i`K`i`b`v` `Z`v`i Ges e`e`v`c`b`v`i `wqŷZŷi t`l qv nq LEA-t`K |

(M) v`kŷŷvi w`Z`b`u` m`ŷ`v`i`ŷ `t`i`i c`v`i`K`i`b`v`

v`kŷŷv`K Elementary | Continuing education b`v`t`g ce`Z`b we`f`v`R`t`bi c`v`i`e`ŷ`Z` c`u`wqK, gva`wqK | further education b`v`t`g w`Z`b`u` m`ŷ`v`i`ŷ `t`i`i we`b`v`t`m`i c`v`i`K`i`b`v` Kiv nq | t`t`ki `ŷ, t`j v`t`K `ŷ`f`v`t`M f`v`M Kiv nq- (1) LEA KZŷ. c`u`Z`w`o`Z | c`v`i`P`v`j`Z K`v`D`w`U `ŷ Ges (2) P`v`P`o`l Ab`v`b` c`u`Z`o`v`b KZŷ. c`u`Z`w`o`Z | c`v`i`P`v`j`Z f`j`v`U`v`i`x `ŷ | f`j`v`U`v`i`x `ŷ, t`j v`t`K Ave`v`i w`Z`b t`k`Y`x`Z f`v`M Kiv nq, h`v`- m`v`v`h`c`u`B `ŷ (aided school), we`t`k`l P`w`e`m`u`b`e`ŷ (special agreement school) Ges w`b`q`u`ŷ`Z `ŷ (controlled school) | D`f`q t`k`Y`x`i we`v`ij q`t`K`B `^`^`^`ŷ`ŷ`i `e`w`k`o`v` e`R`v`q t`i`t`L G`K`B K`v`w`t`g`v`i g`t`a`v` Av`v` nq |

(N) v`kŷŷv`K eva`Z`v`g`j`-K | A`%`Z`v`b`K`v`K`i`Y

c`u`w` t`t`K 15 ermi ch`ŷ`l`A`ŷ` m`u`v`ŷ`c`u`wqK `li Ges gva`wqK `t`i`i 4 e`Q`i ch`ŷ`l` v`kŷŷvi me`R`b`x`b, A`%`Z`v`b`K | eva`Z`v`g`j`-K Kiv nq | (1972-73 t`t`K GB eq`m`m`i`g`v`t`K 16 e`Q`i`i D`b`w`Z` Kiv n`t`q`ŷ`Q`)

w`Z`x`q we`k`h`t`x`v`E`i K`v`t`j 1944 m`v`t`j i v`kŷŷv Av`B`b ev`e`v`q`b Kiv nq | GB Av`B`b K`v`h`ŷ`i K`i`v`i c`t`e`B`ŷ`j`v`t`U`i R`b`m`v`a`v`i`t`Y`i Av`k`v`v` w`Q`j Z`v`t`i `v`x`b`Z`v` ŷ`ŷ`x`e`t`e` | w`K`ŷ` `x`N` w`t`bi Av`f`A`Z`v`q t`L`v` h`v`q 1944 m`v`t`j i v`kŷŷv Av`B`b B`ŷ`j`v`t`U`i v`kŷŷv`q M`v`Z`k`x`j Z`v | `e`w`P`i` G`t`b`ŷ`Q` |



ciVvEi gj`iqb - 1

A) eũ bePbx cŁæ

mWVK DĒi ũbᄃ Rgj-K AŋiWŁK eĒvŋqZ Kiab | (D`vniY: Avcbri ũbePZ DĒiW K ntj GŁK Ⓚ eĒvŋqZ Kiab)

1. cŁ_ŋK ũkŋv A%ZũbK I eva`Zŋj-K Kiv nq tKũb mŁb?
 - K. 1870
 - L. 1891
 - M. 1894
 - N. 1944
2. Aóv`k kZvāx chŚlBsj `vŋi `wi`aI mvavi Y RbMY tKũb cŁZóvŁb tj Lvcor Ki Z?
 - K. MŁgvi ᄃ
 - L. cveŋj K ᄃ
 - M. tWg& ᄃ
 - N. tUKũbK`vj ᄃ
3. 1917 mŁbi ũdmvi AvBŁb tKũbW cŁle Kiv nq?
 - K. gva`ŋK ũkŋvŁK thvM`Zvm=ũbæmKŁj i ũbKU DbŁ Kivi
 - L. gva`ŋK ũkŋvŁK mKj ũKŁkvŁi i ũbKU gŸ Kivi
 - M. t`Łki mKj ᄃ tevW`ZŁj t`qvi
 - N. LEA-Gi nŁZ cŁ_ŋK, gva`ŋK I Kvi Mvi ũkŋvi `vŋqZ; t`qvi
4. QvŁ` i cŁYZv I m=ebv Abŋqŋ gva`ŋK ũkŋvi e`v Kivi cŁle t`q tKũb KŋvŁ?
 - K. t`ũY KŋvŁ
 - L. n`vŁv KŋvŁ
 - M. ũmvi j -bi DW KŋvŁ
 - N. g`vKŁbqvi KŋvŁ
5. 1944 mŁbi ũkŋv AvBŁb Bsj `vŋi ũkŋvi ũZbũ mŁb`Ł `Łi i cwi Kųv Kiv nq | GB `li , Łj v Kx?
 - K. Gŋj Łg>Uvi x, gva`ŋK I dv`ŋ GWᄃKkb
 - L. Gŋj Łg>Uvi x, gva`ŋK I KbiUbyŋs GWᄃKkb
 - M. cŁ_ŋK, gva`ŋK I KbiUbyŋs GWᄃKkb
 - N. cŁ_ŋK, gva`ŋK I dv`ŋ GWᄃKkb

Av) msvŋB DĒi cŁæ

1. Aóv`k kZvāx chŚlBsj `vŋi ũkŋv e`vi `enkó" Kx ũQj ?
2. cŁ_ŋK ũkŋv AvBb KŁb cųk nq? Gi dŁj Kx NŁU?
3. t`ũY KŋvŁi mŋvni k , Łj v DŁj ŪL Kiab |
4. 1944 mŁbi ũkŋv AvBŁb ũkŋvi KivŁŋv ũeb`vŁm Kx cwi eZŁ NŁU?



mWVK DĒi : A) 1 | L, 2 | M, 3 | K, 4 | K, 5 | N |

cW 2

ukŋvi eZŋvb Kwŋtgv

Dŋik`

GB cW tkŋl Avciŋb —

- ◆ Bsj v`ŋŋi eZŋvb ukŋvi KwŋtgvMZ `fi ,tj v eYŋv KiŋZ cviŋeb;
- ◆ cŋkŋmŋbK `enkŋ` tft` gva`ŋgK `ŋŋ ,tj vi tkYŋnefiM eYŋv KiŋZ cviŋeb Ges
- ◆ ukŋvMZ `enkŋ` tft` gva`ŋgK `ŋŋ ,tj vi tkYŋnefiM eYŋv KiŋZ cviŋeb|

1944 mŋbi ukŋv AvBb Ges Zrcŋi MŋxZ KŋqKŋU msthvRbx ukŋsev mŋtkvabx AvBŋbi
wfiEŋZ `wŋtq AvŋQ Bsj v`ŋŋi eZŋvb ukŋve`e`v| mŋvŋŋŋZK ukŋv KwŋtgvŋU nŋ`Q
wbgŋc:

2 t_ŋK 4 eQi cYŋl qv chš — bŋmŋx we`ij q A_ev cŋŋgK we`ij tŋi
bŋmŋx tkYx A_ev Mŋukŋv

5 t_ŋK 6 eQi cYŋl qv chš	—	ukŋi ukŋv (Infant class)		eva`Zvgj K I
7 t_ŋK 10-EaŋeQi chš	—	1g `i t cŋŋgK ukŋv		A%ZubK
11 t_ŋK 15/16 eQi chš	—	2q `i t gva`ŋgK ukŋv		

16 -Gi Eŋaŋ	—	3q `lit AwaKZi ukŋv (further education) Ges D`P ukŋv A_ŋ tUKubK`ij Kŋj R, ukŋK-ukŋY, wekte`ij q cŋŋZ. ukŋv		HŋvQQK I %ZubK
-------------	---	---	--	-------------------

cŋŋgK ukŋv

5 t_ŋK 7 eQi ce`chŋŋi ukŋi ukŋv cŋK-cŋŋgK ukŋv `ŋi i Aŋŋŋ | cŋŋgK
`ŋi i 7 t_ŋK 11 eQi chŋŋi ,iaZcY`ukŋv Ryŋqi `ŋŋ ,tj vŋZ t`l qv nŋq _vŋK/
cŋŋgK ukŋv eva`Zvgj-K, A%ZubK Ges AwaKvsk tŋŋŋ mn-ukŋvvgj-K (co-
educational) | G `ŋi i ukŋv AZ`ŋŋmŋwi Kwŋ Z Ges AwaŋbK ukLb-ŋLŋvŋv c`wZ I
Kj vŋKŋŋtj i Dci cŋŋŋZ |

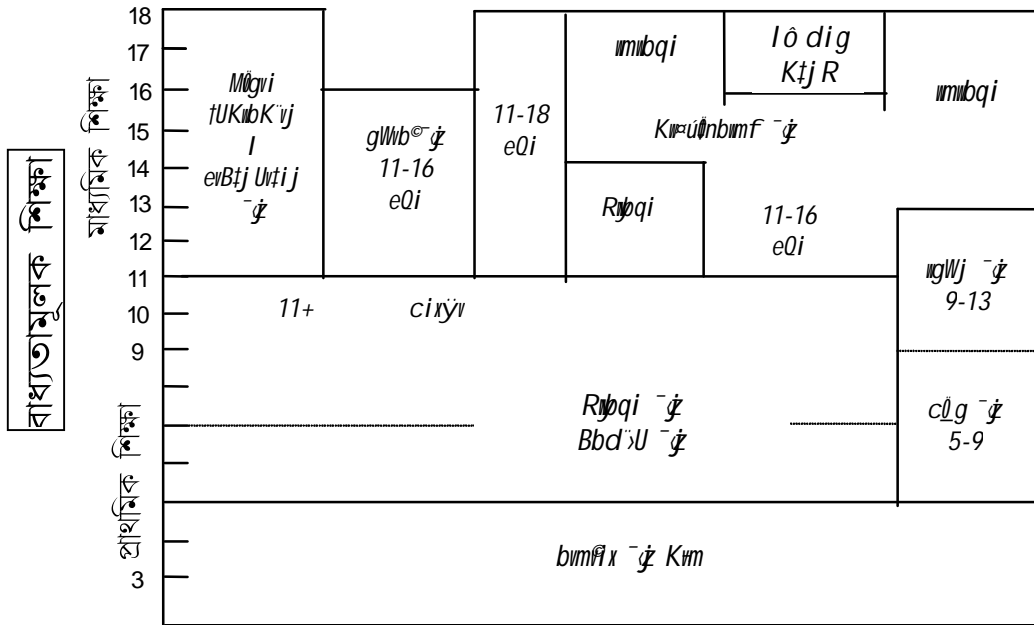
gva`ŋgK ukŋv

Bsj v`ŋŋi gva`ŋgK we`ij q ,tj vŋK cŋkŋmŋbK `enkŋ` tft` wŋtgv³ wZb tkYŋŋZ wef³
Kiv hŋq:

ꞥꞥ 1: Bsꞥ ~ꞥÙi ñkꞥꞥv KwÙꞥv

D"ꞥ ñkꞥꞥv

mekꞥe`'vj q	Ktj R Ad GWKKb	Ktj R Ad cꞥij tUKubK	Ktj R Ad dv`ꞥ GWjKkb
-------------	-------------------	----------------------------	----------------------------



Drꞥ: W. kwꞥ dv LvZb, Zꞥbvgj-K ñkꞥꞥvZÈ; LÙ-2

1. KwÙvU ev AvÁvj K ñe`'vj q

~ꞥbꞥq ñkꞥꞥv KZ@ꞥ (LEA) KZꞥ.cꞥi Pꞥvj Z GBme ñe`'vj tꞥi ðvi mevi Rb` Dbꞥꞥ / ñe`'vj q cꞥi Pꞥj bv, ñkꞥꞥK ñbꞥqꞥM A_ev eiLv`Kiv, Zv`'i D"ꞥZi cꞥ` DbꞥZ Kiv BZ`w` hveZxq KwR GBme ñe`'vj tꞥi tꞥꞥtꞥ LEA Ktꞥ ~ꞥK

2. fꞥvUvi x gva`vꞥK ñe`'vj q

GBme ñe`'vj q LEA KZꞥ cꞥi Pꞥvj Z nqbv Ges G, tꞥv ñZb ai tꞥi ntꞥ ~ꞥK, h_v (1) ñbꞥqꞥZ ñe`'vj q (Controlled Schools), (2) mꞥvñh`cúB ñe`'vj q (Aided Schools) Ges ñeꞥkl HKgꞥZ'i ñe`'vj q (Special Agreement Schools) / LEA ñbꞥqꞥZ ñe`'vj tꞥi tꞥꞥtꞥ tꞥvU e`tꞥi AꞥaꞥKi l tenk Ges mꞥvñh`cúB ñe`'vj tꞥi tꞥꞥtꞥ tꞥvU e`tꞥi Aꞥaꞥ ~ꞥqꞥvi MhY Ktꞥ / GRb` LEA Dfꞥ tkYxi ñe`'vj tꞥ h_vꞥtꞥg`B-ZZxqusk l GK-ZZxqusk cꞥi Pꞥj KgÙj xi m`m` ñbꞥqꞥMi Awkivi ivtL | ñeꞥkl HKgꞥZ'i ñe`'vj q, tꞥv Avv`R w`K t_ꞥK mꞥúY~ꞥej ꞥꞥ | ZvB G, tꞥvi tꞥꞥtꞥ evBtꞥi

n`itŷtci mŷhvm mxigZ| we`ij q,tjvi GKwU b`bZg gvb ivLvi `it`LEA wKQw
cŷve we`vi Kti |

3. `taxb gva`igK we`ij q

DBbP=vi, BUb, kamevix, n`itiv BZ`w` bquU cvej K `ŷ i RbucŷZv Acwixg |
cKZcŷŷ cwi cwiKŷZvi Avbŷtj` I AwfRitZ`i Avofŷi Gme we`ij q GKwU wBR`
Hwzn` Mto Ztj tQ Ges GB Hwzn` wbtKvj vm nvbŷmi gŷZ “an original English
contribution to educational practice.” Avakisk cvej K `ŷB nj AvevwmK Ges
Gme we`ij tq wKŷv AZ`ŷl e`qeuj | `ŷ,tjvi mŷvg ARŷbi wQŷb Dbzgvŷbi
cŷvmb, Dchŷ wKŷK, fiv Qvŷ-wKŷK mŷúK, tgavex Qvŷ fivBZ`w` KviY Dŷj - L
Kiv thŷZ cvŷi | tLjvajvi cŷZ Gme `ŷj LŷB , iæzi cŷvb Kiv nq Ges Gi
thŷŷKZv cŷtŷ ej v nq th, ‘The battle of Waterloo was won on the playing field
of Eton.’ K_wU fiv`nj, th cŷZthwMZvgj-K gŷbvŷve, k;Ljv I tbZŷzi ,ŷY
I quŷvij y hŷ tRZv mŷe nŷquj tmB , Y cvej K `ŷj i Qvŷ Rŷetb AwRŷ nŷquj |

cŷvmbK w`K Qvov wKŷvMZ (academic) w`K t`tKI Bsj`vŷi gva`igK
we`ij q,tj vŷK wZbŷU cŷvb fivM fivM Kiv thŷZ cvŷi | h_v- Mŷgvi `ŷ, gWb`ŷ I
tUKwK`ij `ŷ | wbtgŷ,tjvi mŷwŷB eYŷv t`qv nj :

Mŷgvi `ŷt eŷ kZvax aŷi Mŷgvi `ŷ Bsj`vŷi gva`igK wKŷv `ŷi wKŷv vb Kti
AvmtQ | G,tjv Hwzn`evnx we`ij q etj cwiwPZ | Mfvi Avb ARŷ I eygEv Ges
tbZŷzi ,Y weKŷk wKŷv`ŷi mŷvqZv KivB GB `ŷ,tjvi jŷŷ | Gme `ŷj
wKŷvKvj 7 ermi (11-18 ermi eqm Aewa) | Zŷe th mKj wKŷv`ŷ16 ermti i cŷi
Gme `ŷ `vŷK Zviv Mŷgvi `ŷj i mŷeP ‘Sixth form’ G 1-3 ermi AwzewwZ Kti
tKvb wŷtq wŷkŷl A nevi gvbŷm |

mŷaviYZ wekle`ij tq Aa`qŷbi ce`cŷwZ cŷvŷbi cŷZ jŷŷ tiŷL Mŷgvi `ŷj i
wKŷvKgŷwP wbaŷY Kiv nq | Zŷe cŷŷŷY Ktj R, tUKwK`ij Ktj R I Ab`vb` D`P
tckvgj-K mŷvŷ Mŷgvi `ŷj i cv`mug cŷŷqŷb cŷve we`vi Kti | Bŷi wR fivŷ I
mŷwZ, wŷ`kx fivŷ, KwK`ij fivŷ, c`v`ŷAvb, imvqb, RŷewAvb, MŷYZ, BwZvwm,
fŷMj, wŷi Kjv, mŷxZ BZ`w` wŷl q Mŷgvi `ŷj i Aŷŷŷ | eZŷvŷb AŷbK Mŷgvi `ŷj
A_ŷwZ, `vcZ`we`v, cŷKŷkj weAvb, KwMŷi Aŷb, ewYR` BZ`w` cv` wŷl qŷŷc
`vb tctqŷQ |

gWb`ŷt G,tjv gj-Zt cixŷvgj-K we`ij q | AvaybK A_ŷwZK I kŷ Rŷetbi mtŷ
mŷwZ tiŷL GB `ŷ,tjv Zŷ`i Kvhŷg cwiPij bv Kti `vŷK | wj, Kj -KivLvŷ,
t`vKvb, e`emvq cŷZŷvb, hŷbevb, Lvgvi cŷŷzi Rb` ga`g `ŷi kŷ`ŷZv DcŷhMx
wKŷv gWb`ŷ,tjvZ t`qv nq | GB wKŷv i jŷŷ nŷv Rŷebag` I Aemi wŷbv ŷbi
mŷvqK Avb I `ŷZv cŷvb | GB `ŷ,tjvi wKŷvµg nŷv Bŷi wR, BwZvwm, fŷMj,
mgvRcvW, `ŷ`, kvixwK wKŷv, AsK, weAvb, wŷi, mŷxZ, evMvPPP, BZ`w` | cŷvb



cv#VvEi gj`iqb - 2

A) eU bePbx c#kæ

m#WK D#i #t` Rgj-K A#i #t`K e#mqZ Kiab | (D`vniY: Avcbvi be#PZ D#i #t`K ntj G#K **K** e#mqZ Kiab)

- Bsj `it`U 5 t`#K 6 eQi cY#l qv chS#k#i t#t` tKv#U c#h#R?
 - K. GB `#i #k#v A%Z#bK
 - L. GB `#i #k#v eva`Z#j-K
 - M. GB `#i #k#v c#K-c#_#K `#i A#M#
 - N. Dc#i me_#j
- #Kvb aitbi gva`#K me`ij tqi tgvU e`tqi A#t#Kil tenk e`vqfvi LEA enb K#i?
 - K. #bq#s#Z me`ij q
 - L. m#v#h`c#B me`ij q
 - M. K#D#U me`ij q
 - N. me#kl HKgt`Z`i me`ij q
- #Kvb `#j i #k#v Kvh#jg Av#bK A_#b#ZK I k#R#etbi m#t_ m#z#ZcY?
 - K. M#gvi `#j
 - L. g#W#Y`#j
 - M. t#U#bK`ij `#j
 - N. K#u#n#b#m#f `#j
- M#gvi `#j i sixth form-G K#v#j Lv cov K#i?
 - K. 11 eQ#i i #t`Pi eqm#v
 - L. 11 t`#K 16 eQ#i i eqm#v
 - M. 16 t`#K 18 eQ#i i eqm#v
 - N. 18 eQ#i i Dc#i i eqm#v
- me#f#æ c#k#Zi gva`#K me`ij q#K GKB `#j i Avl Z#q Avbv ntq#Q tKv#U#Z?
 - K. K#u#n#b#m#f `#j
 - L. g#v#t#j U#v#j `#j
 - M. ev#t#j U#v#j `#j
 - N. g#W#Y`#j

Av) m#v#B D#i c#kæ

- Bsj `it`Ui eZ#vb #k#v K#v#t#v#i eqt#jg #f#i#K `#i_#t#v D#j # Kiab |
- Bsj `it`Ui f#j #U#v#x gva`#K me`ij q_#t#v#i t#k#Y# `en#k#` D#j # Kiab |
- Bsj `it`Ui c#v#j K `#j_#t#v#i #i#z#l `en#k#` D#j # Kiab |



m#WK D#i

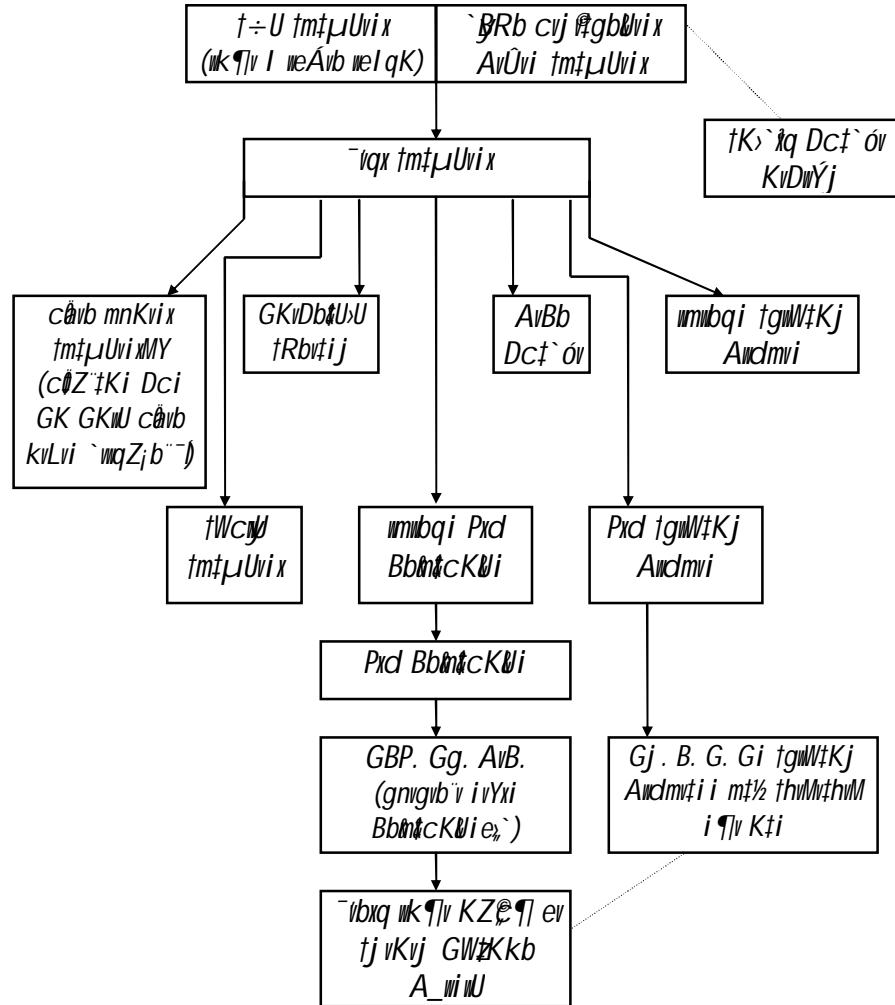
A) 1 | N, 2 | K, 3 | L, 4 | M, 5 | L |

metklA`i` i` ubtq MmVZ nq` vbxq` uk`qv KZE`q - Gj B G| cAZUW Gj B G Zvi cAvb
KgmPe ubtqvM Kti| L.E.A.-i` uk`qvbxZ ifcvmqZ KivB Zvi` vqZi| Zvi Aaxtb
itqtQb Ab`vb` KqPvix Ges me`ij q` cwi` kRe,` (Giv L.E.A. Inspector - H.M.I.
bb)| Gj B G uk`qv evtRU` Zwi Kti| cY% KivDwYtj i` vqZi; n`Q Gj B G-i Rb`
A_`ms`vb Kiv| mzi`vs KivDwYtj i` GKUW mvariY KZQ;_vKtj I` `b`b Kivh`q`i`
Gj B G cKZct`q` `qE`kvmZ|

KivDwU I KivDwU etiv KivDwYj Qvovl AvA`ij K wfiEtZ uk`qv cPov` mgsnZ Kivi Rb`
itqtQ Omwvfk`vj A_wiUO| KivDwU KivDwYj, etiv KivDwYj, me`ij q` cwi Pij K mfvi
cAZvba, uk`qK I Ab`vb` metklA` i` ubtq GB cAZovb MmVZ| mvariY fvt`e Gj B G-i
ubt``k`B GB cAZovb KivR Kti|

Gj B G-i cAvb` vqZi` gta` itqtQ - (K) cU`wgK, gva`wgK Ges gva`wgKvEi
uk`qv (mekpe`ij q` e`wZti`k) e`e`vi mgsnZ cwi Pij bv; (L) bvm`fx uk`qv Drmiv I
mivh`vb; (M) vbxq` wfiEtZ uk`qv cwi Kiv`Zwi; (N) vbxq` uk`qv Ki Av`vq I
eUv; (O) AA`tj i` gta` temi Kivix me`ij q` I PivP`cwi Pwv Z me`ij q` t`j vi m`
msthvM i`qv; (P) me`ij q` cwi` k`bi e`e`v; (Q) me`ij q` cwi Pij K mfvi m`
wfiEtZ uk`qK ubtqvM Ges L.E.A. I uk`qK m`gvi` thS` cwi I` i` gva`tg uk`q`k`i
teZb`ug I Kiv`Ri ubq`vej`x c`q`b; (R) Qv`Kj`vY e`e`vcbv; (S) gS`Bi t`
mi Kivix mivh` MhY I eUv Ges (T) vbxq` c`qvRbv`y`i me`ij q` vcb I
uk`qv`v`bi Db`q`b| cAZUW L.E.A.-Gi ubt`P` `q` itqtQ cwi Pij K mfvi (Board of
Governors or Management)| cwi Pij K mfvi` vq` vqZi; ubf`P` Kti me`ij q` i` Pwi`i`
Dci| temi Kivix me`ij q` i` cwi Pij K mfvi` vqZi I Av`Kvi A`bK temk| `q` i`
Avf`šli`xY c`kvm`b Aek` cAvb uk`qK I uk`qK cwi I` e`vck` q`gZv` t`fivM Kti b|

~P1 2: Bsj ~tUi ~k~v c~kmb Kw~gv





ciVvEi gj`iqb - 3

A) eü ubePbx ckae

mWk DEi bt`Rgj-K AqjiWtK eEiqZ Kiab | (D`vniY: Avcbri ubePZ DEiW K ntj GtK eEiqZ Kiab)

1. H.M.I.-iv Kvi mt½ hy?
 K. KvDwU KvDwYj
 L. LEA
 M. ukqvgšxi `Bi
 N. UGC
2. AvAj K wfiEz ukqv KgmPi mgšq Kti tKvW?
 K. LEA
 L. wvfkbyj A_wiW
 M. KvDwU KvDwYj
 N. etiv KvDwYj
3. tKvW tK`iq KZe:qji `wqZ?
 K. ukqK ukvqKvi Dchš thM`Zv ubwDZ Kiv
 L. ukqK wbtqm Kiv
 M. ukqv Ki Av`vq I eUb Kiv
 N. we`ij q `rcb I ukqv gvbi Dbqb Kiv
4. tKvW LEA-Gi AšM?
 K. `z cwi Pvj K mfv
 L. H.M.I.
 M. wvfkbyj A_wiW
 N. UGC

Av) msqB DEi ckae

1. Bsj itÜi ukqv ckvmb I e`rcbri tqt tK`iq KZe:qji `wqZ; Dtj L Kiab |
2. Bsj itÜi ukqv ckvmb I e`rcbri tqt `vbxq KZe:qji `wqZ; Dtj L Kiab |
3. Bsj itÜi ukqv ckvmb I e`rcbvq `vbxq KZe:qji ,iaz; Dtj L Kiab |



mWk DEi

A) 1 | M, 2 | L, 3 | K, 4 | K |



Pəiſġj-iqb

A) eū ubePbx cġæ

mīWK DĒi ūt̄ Rġj-K Aġi ūt̄K eĒvīqZ Kiab | (D`vniY: Avcbvi ubePZ DĒi ū K nt̄j Gt̄K ① eĒvīqZ Kiab)

1. n`iṽWv KugūJi ūi t̄cv̄t̄U^qKv̄būJ cġġe Kiv nq?
 K. gva`igK ūkġv̄t̄K thv̄M`Zvm̄āúbamKt̄j i ūbKU Db̄t̄ Kivi
 L. gva`igK ūkġv̄t̄K mKj ūk̄t̄kv̄t̄i i ūbKU Db̄t̄ Kivi
 M. ṽ t̄ev̄W^qZt̄j t̄`I qvi
 N. LEA-Gi nv̄t̄Z cġġigK, gva`igK I Kv̄vī Mv̄vī ūkġv̄i `v̄v̄qZj t̄`I qvi
2. t̄Kv̄b KugūJ ūkġK cġġġt̄Yi ūel t̄q mġv̄vī k Kt̄i?
 K. t̄`ūY KugūJ
 L. n`iṽWv KugūJ
 M. ūv̄v̄j -bi DW KugūJ
 N. g`v̄Kt̄bqvi KugūJ
3. t̄Kv̄b Av̄Bt̄bi ūf̄v̄Ēt̄Z Bsj `iṽU meġġg GKūJ cY^q Rv̄Ziq ūkġv̄i e`e`v̄ Mto I t̄V?
 K. 1870 m̄t̄bi ūkġv̄i Av̄Bb
 L. 1902 m̄t̄bi ūkġv̄i Av̄Bb
 M. 1917 m̄t̄bi ūkġv̄i Av̄Bb
 N. 1944 m̄t̄bi ūkġv̄i Av̄Bb
4. t̄`ūY KugūJ Kv̄t̄`i Rb` gWv̄Y^q t̄j i cġġe Kt̄i?
 K. hv̄t̄`i e`env̄vī K ūkġv̄i M̄h̄t̄Yi cġġYZv̄ Av̄t̄Q
 L. hv̄t̄`i ūegZ^q t̄ešv̄xK ūkġv̄i cġġYZv̄ Av̄t̄Q
 M. hv̄t̄`i Kv̄vī Mv̄vī I hv̄v̄šK `ġZvi cġġYZv̄ Av̄t̄Q
 N. hv̄t̄`i m̄R̄bkj I D^mteYx `ġZvi cġġYZv̄ Av̄t̄Q
5. t̄Kv̄b ai t̄bi gva`igK ūe`vj t̄q LEA-Gi n`t̄ġt̄ci m̄t̄hv̄M m̄v̄v̄qZ?
 K. Kv̄D̄v̄U ūe`vj q
 L. ūbqūšZ ūe`vj q
 M. ūe t̄kI HKġt̄Z`i ūe`vj q
 N. m̄v̄v̄h`cġB ūe`vj q

6. tKvb `tj i ukŷlv KgmP mvari YZ mekpe`ij tqi ce@t nZgj-K ntq _vtK?

- K. Mŷgvi `tj
- L. Kŷu@nbwmf `tj
- M. gWvY@tj
- N. tUKvbK`ij `tj

7. mKj cKvi mvgvRK tkYxi QvTQvTt`i ukŷlvi jtŷŷ tKvb `tj c@Zŷv Kiv nq?

- K. cvewj K `tj
- L. gWvY@tj
- M. tUKvbK`ij `tj
- N. Kŷu@nbwmf `tj

8. ukŷlv nbqŷtYi PovŷlAwaKvi AvBbMZ tKvbUj Dci b`P

- K. LEA
- L. ukŷlv gŷŷi `Bi
- M. KvDwU KvDwYj
- N. etiv KvDwYj

Av) iPbvj-K ckae

1. Bsj `vtUi c@_ugK l gva`ugK ukŷlvi mgueKvk Dtj l Kiab|
2. 1944 mŷbi ukŷlv AvBtbi , iazcY@ K,tj v e`vL`v Kiab|
3. Bsj `vtUi eZgvb ukŷlv KvVtgvv `li ,tj v eY@v Kiab|
4. gva`ugK me`ij q,tj vi c@kvmibK tkYmeFvM eY@v Kiab|
5. gva`ugK me`ij q,tj vi GKvtWugK tkYmeFvM eY@v Kiab|
6. Bsj `vtUi ukŷlv c@kvmib ukŷlv gŷŷij tqi , iazj l `vncZj eY@v Kiab|
7. Bsj `vtUi ukŷlv c@kvmib `vbxq KZEtŷŷi , iazj l `vncZj eY@v Kiab|



mWK DËi

- A) 1| L, 2| N, 3| N, 4| K, 5| M, 6| K, 7| N, 8| L|

M&CÄx

Aggarwal, J.C., *National Policy on Education*, New Delhi : Arya Book Depot, 1979.

Cramer, J.F. and Browne, G.S., *Contemporary Education*, New York : Harcourt, Brace & World, Inc, 1965.

Joshi, R.N., *Education Elsewhere & Here*, Bombay : Bharatiya Vidya Bhavan, 1979.

Sodhi, T.S., *A Textbook of Contemporary Education*, Dhaka : Associated Business Corporation, 1998.

ᄡ, DclvKvšl Zj bvgj-K ᄡᄡv, Kvj KvZv : GWKkbvj eᄡ Kičvtikb, 1974|

eᄡ ᄡcvaᄡq, tRᄡZcᄡᄡ. fvi Zxq ᄡᄡvi BvZnvᄡ I mᄡᄡZK mgmᄡ, Kvj KvZv : ᄡᄡv cᄡKvb, 1977|

ivq, ARq. ᄡᄡvq behᄡ, Kvj KvZv t cᄡᄡgeᄡ ivRᄡ cᄡᄡ, 1986|

nvqvī tmᄡKŪvix GWKkb cᄡRᄡ, ᄡᄡv gšᄡvq, ᄡᄡvbᄡZ I ᄡᄡv eᄡ ᄡcbv, XvKv 1999|

nvqvī tmᄡKŪvix GWKkb cᄡRᄡ, ᄡᄡv gšᄡvq, ᄡᄡvi BvZnvᄡ I Zj bvgj-K ᄡᄡv, XvKv 1994|